

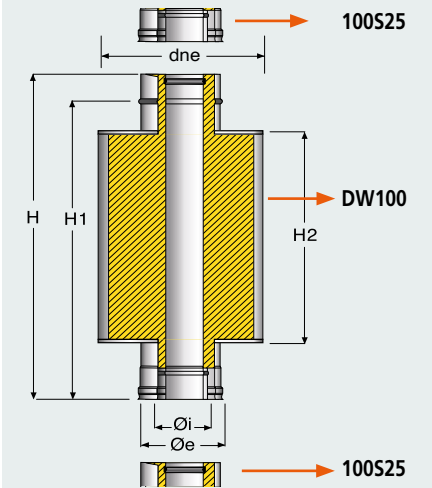
Serie 100S25

184PDWS25...



**DW100
gonfio**

Tubo DW100 omologato Gzero per passaggio a tetto - h 1000 mm.
Homologated Gzero pipe DW100 for roof passing-through element - h 1000 mm.

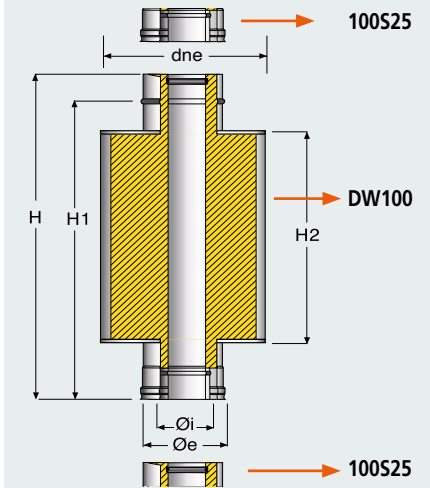


100S25			DW100				
Øi	Øe	COD.	Øi	dne	H	H1	H2
80	130	184PDWS25080	80	280	1000	940	800
100	150	184PDWS25100	100	300	1000	940	800
130	180	184PDWS25130	130	350	1000	940	800
150	200	184PDWS25150	150	350	1000	940	800
180	230	184PDWS25180	180	400	1000	940	800
200	250	184PDWS25200	200	400	1000	940	800
250	300	184PDWS25250	250	450	1000	940	800
300	350	184PDWS25300	300	500	1000	940	800

183PDWS25...



Tubo DW100 omologato Gzero per passaggio a tetto - h 700 mm.
Homologated Gzero pipe DW100 for roof passing-through element - h 700 mm.

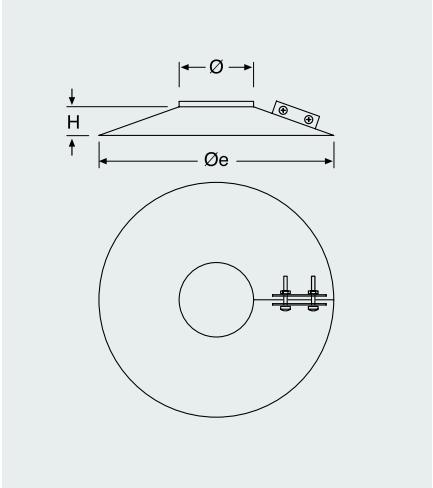


100S25			DW100				
Øi	Øe	COD.	Øi	dne	H	H1	H2
80	130	183PDWS25080	80	280	700	640	500
100	150	183PDWS25100	100	300	700	640	500
130	180	183PDWS25130	130	350	700	640	500
150	200	183PDWS25150	150	350	700	640	500
180	230	183PDWS25180	180	400	700	640	500
200	250	183PDWS25200	200	400	700	640	500
250	300	183PDWS25250	250	450	700	640	500
300	350	183PDWS25300	300	500	700	640	500

182PSTVDPS25... ✕



Fascetta anti intemperie per passaggio a tetto.
Storm collar for roof passing-through element.



100S25			Ø	Øe	H
Øi	Øe	COD.	Ø	Øe	H
80	130	182PSTVDPS25080	130	450	20
100	150	182PSTVDPS25100	150	450	20
130	180	182PSTVDPS25130	180	500	20
150	200	182PSTVDPS25150	200	500	20
180	230	182PSTVDPS25180	230	550	20
200	250	182PSTVDPS25200	250	550	20
250	300	182PSTVDPS25250	300	600	20
300	350	182PSTVDPS25300	350	650	20

✕ DA UTILIZZARE CON IL PASSAGGIO A TETTO
TO BE USED WITH THE ROOF PASSING-THROUGH

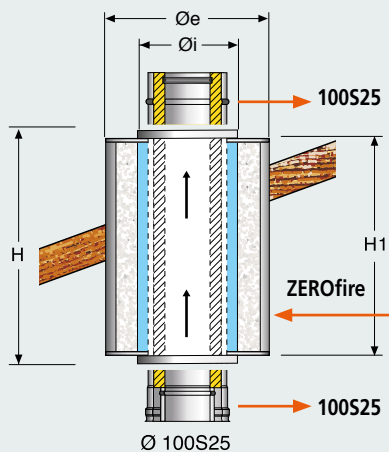
DOPPIA PARETE - DOUBLE WALL AISI 316L

185PSTDPAS25...



ZEROFire

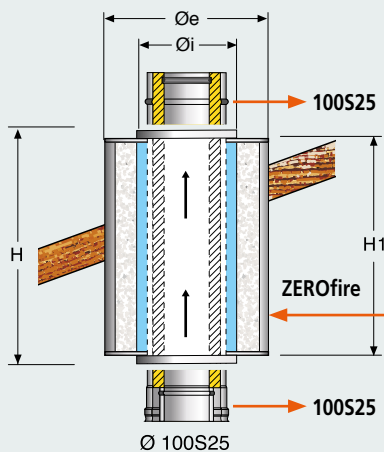
Accessorio passaggio a tetto per canna fumaria passante in 100S25 - h 1000 mm.
Roof passing-through element for 100S25 - h 1000 mm.



181PSTDPS25...



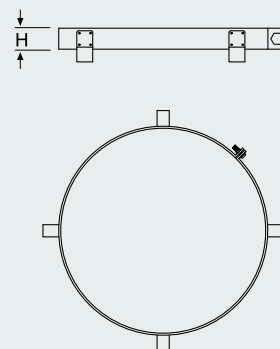
Accessorio passaggio a tetto per canna fumaria passante in 100S25 - h 650 mm.
Roof passing-through element for 100S25 - h 650 mm.



EXCOLSTAT...



Collare di supporto per passaggio a tetto (181PSTDPS25).
Support bracket for roof passing-through element (181PSTDPS25).



100S25			ZEROfire			
Øi	Øe	COD.	Øi	Øe	H	H1
80	130	185PSTDPAS25080	150	300	1000	950
100	150	185PSTDPAS25100	170	300	1000	950
130	180	185PSTDPAS25130	200	350	1000	950
150	200	185PSTDPAS25150	220	350	1000	950
180	230	185PSTDPAS25180	250	400	1000	950
200	250	185PSTDPAS25200	270	400	1000	950
250	300	185PSTDPAS25250	320	450	1000	950
300	350	185PSTDPAS25300	370	500	1000	950

100S25			ZEROfire			
Øi	Øe	COD.	Øi	Øe	H	H1
80	130	181PSTDPS25080	150	300	650	600
100	150	181PSTDPS25100	170	300	650	600
130	180	181PSTDPS25130	200	350	650	600
150	200	181PSTDPS25150	220	350	650	600
180	230	181PSTDPS25180	250	400	650	600
200	250	181PSTDPS25200	270	400	650	600
250	300	181PSTDPS25250	320	450	650	600
300	350	181PSTDPS25300	370	500	650	600

100S25		COD.	H
80	130	EXCOLSTAT0813	20
100	150	EXCOLSTAT1015	20
130	180	EXCOLSTAT1318	20
150	200	EXCOLSTAT1520	20
180	230	EXCOLSTAT1823	20
200	250	EXCOLSTAT2025	20
250	300	EXCOLSTAT2530	20
300	350	EXCOLSTAT3035	20

⊗ DA UTILIZZARE CON IL PASSAGGIO A TETTO
TO BE USED WITH THE ROOF PASSING-THROUGH