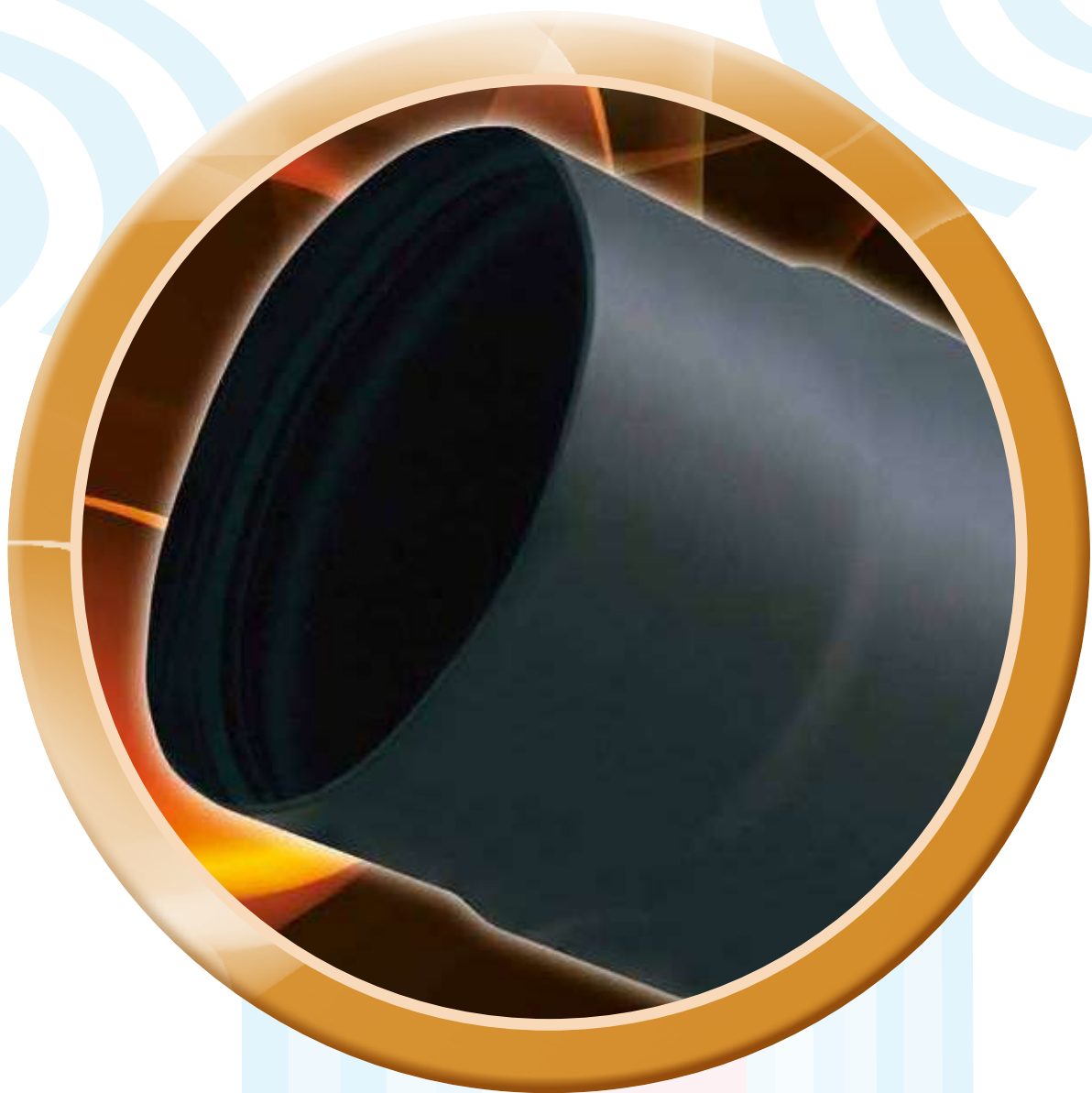




**TERMOCOM**

S i s t e m i s c a r i c o f u m i



**ACCIAIO AL CARBONIO**  
**CARBON STEEL**

**Serie FERRO CAMINO**

# Serie FERRO CAMINO

## Sistema monoparete legna 2,0 mm *Single wall wood 2.0 mm system*



Il sistema **monoparete Serie FERRO CAMINO 2,0 mm** è composto da elementi componibili rigidi, realizzati in acciaio al carbonio verniciato nero opaco di spessore 2 mm rastremato per garantire, insieme alla tenuta perfetta nell'evacuazione dei fumi, alta qualità estetica. Gli elementi sono conformi agli standard previsti dalla marcatura CE secondo la normativa EN 1856-2 e hanno innesto con bicchiere maschio rastremato. Ideali con generatori funzionanti in depressione con combustibili solidi e temperature molto elevate (fino a 600 °C).

*Single wall Serie FERRO CAMINO 2.0 mm system is composed by modular rigid elements, made of carbon steel matte black painted, 2 mm thickness tapered to ensure a perfect seal in the discharge of smoke and at the same time high aesthetic quality. The elements are compliant to the standards set out by the European CE mark, EN 1856-2 and have tapered male joint. Ideal for generators operating in depression with solid fuels and very high temperatures (up to 600 °C).*

### **Riferimento normativo e designazione**

Marcatura prodotto secondo normativa europea EN 1856-2.

T600 N1 D Vm L01200 Gxxx NM (xxx = 3 volte il Ø)

T600 N1 D Vm L01200 G800 M Ø 200

### **Normative references and designation**

*Product marking according to the European standard EN 1856-2.*

*T600 N1 D Vm L01200 Gxxx NM (xxx = Ø X 3)*

*T600 N1 D Vm L01200 G800 M Ø 200*

### **Utilizzo**

Condotti, canali da fumo, camini metallici, asserviti in particolare a generatori di calore di tipo stufe a legna e caminetti.

### **Utilizations**

*Ducts, flue pipes, metal chimneys, particularly subservient to wood stoves and fireplaces.*

### **Applicazione**

Installazione interna.

### **Application**

*Internal installation.*

### **Diametri disponibili - mm**

120 - 130 - 140 - 150 - 180 - 200.

### **Available diameters - mm**

*120 - 130 - 140 - 150 - 180 - 200.*

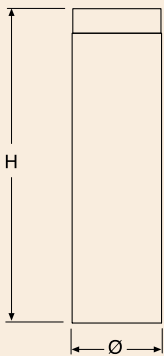


## FC01...



Elemento lineare da 1 m.

*Pipe 1 m.*



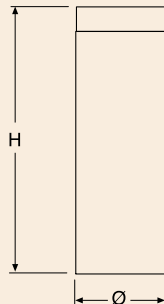
Ø	COD.	H
120	FC01120	1000
130	FC01130	1000
140	FC01140	1000
150	FC01150	1000
180	FC01180	1000
200	FC01200	1000

## FC06...



Elemento lineare da 0,75 m.

*Pipe 0.75 m.*



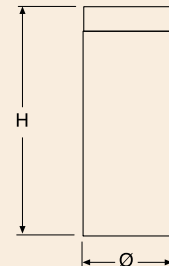
Ø	COD.	H
120	FC06120	750
130	FC06130	750
140	FC06140	750
150	FC06150	750
180	FC06180	750
200	FC06200	750

## FC02...



Elemento lineare da 0,50 m.

*Pipe 0.50 m.*



Ø	COD.	H
120	FC02120	500
130	FC02130	500
140	FC02140	500
150	FC02150	500
180	FC02180	500
200	FC02200	500

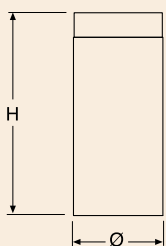
# Serie FERRO CAMINO

## FC03...



Elemento lineare da 0,25 m.

*Pipe 0.25 m.*

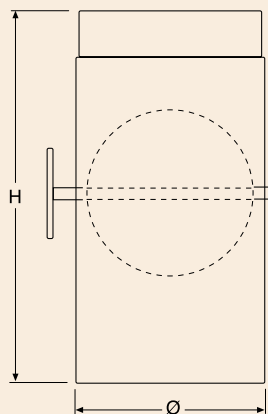


## FC25...



Elemento lineare da 1 m con saracinesca.

*Pipe 1 m with draught stabilizer.*

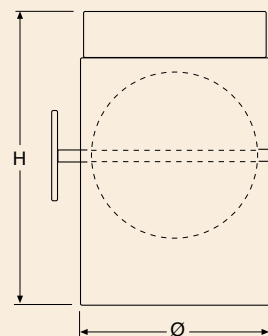


## FC05...



Elemento lineare da 0,25 m con saracinesca.

*Pipe 0.25 m with draught stabilizer.*



Ø	COD.	H
120	FC03120	250
130	FC03130	250
140	FC03140	250
150	FC03150	250
180	FC03180	250
200	FC03200	250

Ø	COD.	H
120	FC25120	1000
130	FC25130	1000
140	FC25140	1000
150	FC25150	1000
180	FC25180	1000
200	FC25200	1000

Ø	COD.	H
120	FC05120	250
130	FC05130	250
140	FC05140	250
150	FC05150	250
180	FC05180	250
200	FC05200	250

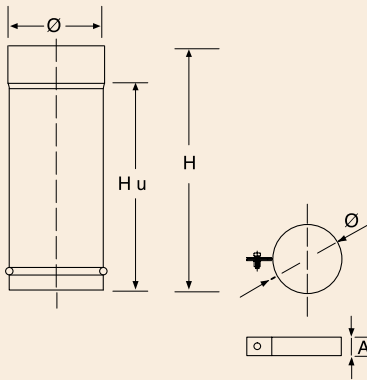


## FC09...



Elemento telescopico completo di fascetta reggitubo.

*Adjustable pipe with locking band.*



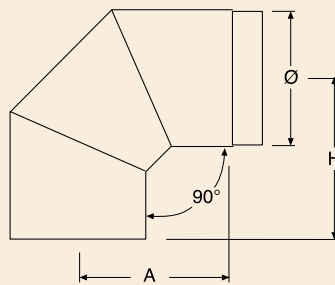
Ø	COD.	A	H	H u
120	FC09120	30	325	275
130	FC09130	30	325	275
140	FC09140	30	325	275
150	FC09150	30	325	275
180	FC09180	30	325	275
200	FC09200	30	325	275

## FC04...



Curva a 90°.

*Elbow 90°.*



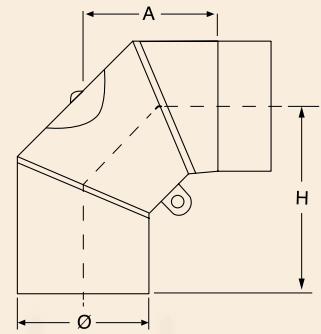
Ø	COD.	A	H
120	FC04120	127	177
130	FC04130	131	181
140	FC04140	137	187
150	FC04150	141	191
180	FC04180	156	208
200	FC04200	216	216

## FC19...



Curva girevole con ispezione.

*Adjustable elbow with inspection door.*



Ø	COD.	A	H
120	FC19120	127	177
130	FC19130	131	181
140	FC19140	137	187
150	FC19150	141	191
180	FC19180	156	208
200	FC19200	166	216

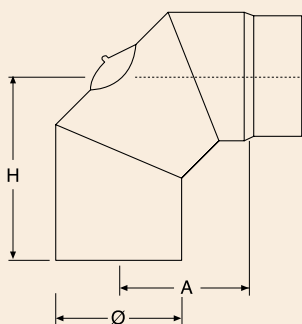
# Serie FERRO CAMINO

## FC20...



Curva a 90° con ispezione.

*Elbow 90° with inspection door.*

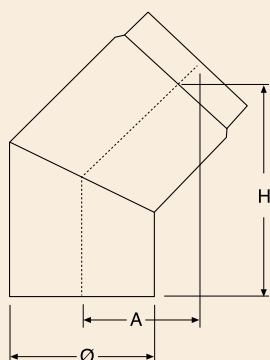


## FC07...



Curva a 45°.

*Elbow 45°.*

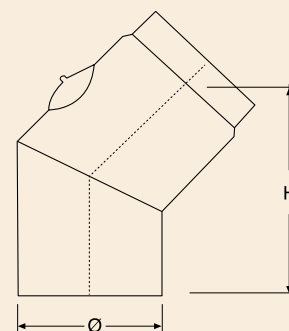


## FC08...



Curva a 45° con ispezione.

*Elbow 45° with inspection door.*



Ø	COD.	A	H
120	FC20120	127	177
130	FC20130	131	181
140	FC20140	137	187
150	FC20150	142	191
180	FC20180	156	206
200	FC20200	200	216

Ø	COD.	A	H
120	FC07120	74	140
130	FC07130	75	145
140	FC07140	77	151
150	FC07150	78	154
180	FC07180	83	165
200	FC07200	85	173

Ø	COD.	H
120	FC08120	237
130	FC08130	338
140	FC08140	239
150	FC08150	246
180	FC08180	240
200	FC08200	242

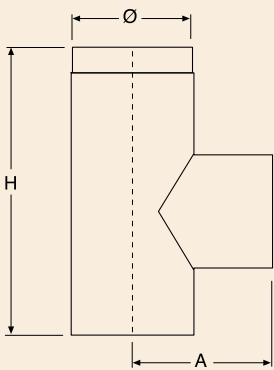


## FC15...



Raccordo a "T" 90° con tappo cieco e manicotto MM.

*Tee 90° with tee cap and MM adaptor.*

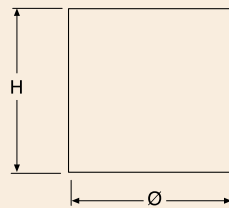


## FC17...



Manicotto femmina - femmina.

*Double female adaptor.*

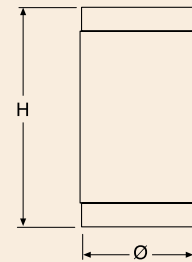


## FC21...



Manicotto maschio - maschio.

*Double male adaptor.*



Ø	COD.	A	H
120	FC15120	150	270
130	FC15130	150	280
140	FC15140	155	290
150	FC15150	160	300
180	FC15180	180	330
200	FC15200	185	350

Ø	COD.	H
120	FC17120	150
130	FC17130	150
140	FC17140	150
150	FC17150	150
180	FC17180	150
200	FC17200	150

Ø	COD.	H
120	FC21120	150
130	FC21130	150
140	FC21140	150
150	FC21150	150
180	FC21180	150
200	FC21200	150

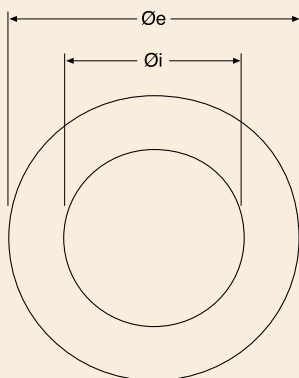
# Serie FERRO CAMINO

## FC22...



Rosone copriforo con bombatura.

*Ceiling hole cover with camber.*



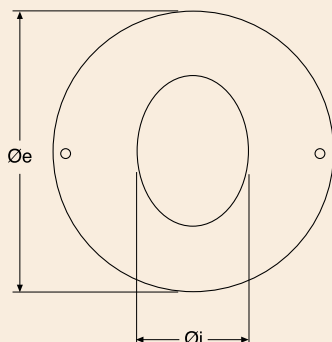
Øi	Øe	COD.
120	220	FC22120
130	230	FC22130
140	240	FC22140
150	250	FC22150
180	280	FC22180
200	300	FC22200

## FC28...



Rosone copriforo ellittico per innesto a 45°.

*Ceiling elliptic hole cover for 45° insertion.*



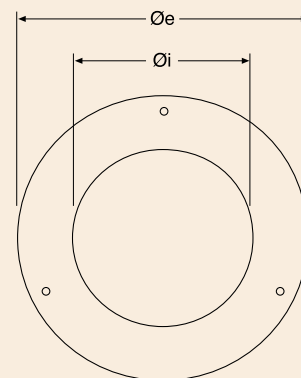
Øi	Øe	COD.
120	250	FC28120
130	250	FC28130
140	250	FC28140
150	250	FC28150
180	300	FC28180
200	330	FC28200

## FC26...



Rosone copriforo liscio con tre fori.

*Ceiling hole cover smooth with three holes.*



Øi	Øe	COD.
120	250	FC26120
130	250	FC26130
140	250	FC26140
150	250	FC26150
180	250	FC26180
200	250	FC26200



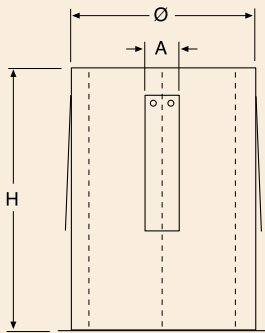


## FC10...



Raccordo a soffitto telescopico.

*Adjustable adaptor for ceiling.*



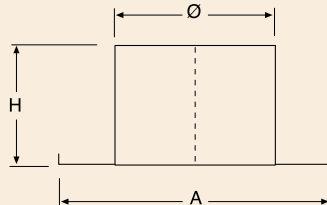
Ø	COD.	A	H
120	FC10120	20	210
130	FC10130	20	210
140	FC10140	20	210
150	FC10150	20	210
180	FC10180	20	210
200	FC10200	20	210

## FC11...



Raccordo a parete compreso di rosone.

*Wall adaptor with hole cover.*



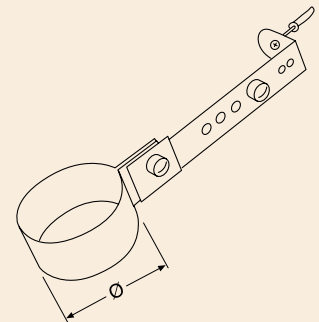
Ø	COD.	A	H
120	FC11120	220	125
130	FC11130	230	125
140	FC11140	240	125
150	FC11150	250	125
180	FC11180	280	125
200	FC11200	300	125

## FC29...



Collare a muro.

*Wall bracket.*



Ø	COD.
120	FC29120
130	FC29130
140	FC29140
150	FC29150
180	FC29180
200	FC29200

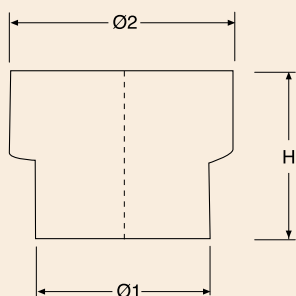
# Serie FERRO CAMINO

FC00.../...



Aumento di diametro.

*Increaser.*



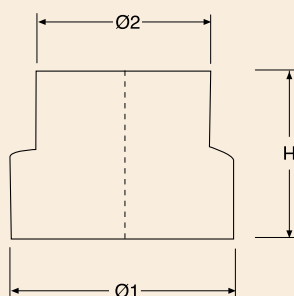
Ø1	Ø2	COD.	H
120	130	FC00120/130	160
120	140	FC00120/140	160
130	140	FC00130/140	160
120	150	FC00120/150	160
130	150	FC00130/150	160
140	150	FC00140/150	160
130	160	FC00130/160	160
140	160	FC00140/160	160
150	160	FC00150/160	160
150	180	FC00150/180	160
160	180	FC00160/180	160
160	200	FC00160/200	160
180	200	FC00180/200	160

FC00.../...



Riduzione di diametro.

*Reducer.*



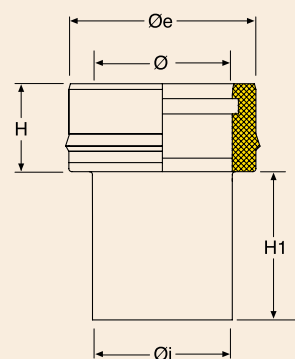
Ø1	Ø2	COD.	H
130	120	FC00130/120	160
140	120	FC00140/120	160
140	130	FC00140/130	160
150	120	FC00150/120	160
150	130	FC00150/130	160
150	140	FC00150/140	160
160	130	FC00160/130	160
160	140	FC00160/140	160
160	150	FC00160/150	160
180	150	FC00180/150	160
180	160	FC00180/160	160
200	160	FC00200/160	160
200	180	FC00200/180	160

▲ EXRCIDPLNFENB...



Raccordo universale monoparete - doppia parete. Si usa con la Serie 100S25.

*Universal adaptor single - double wall. It is used with the Serie 100S25.*



Øi	Øe	COD.	Ø	H	H1
80	130	#	#	#	#
100	150	#	#	#	#
130	180	EXRCIDPLNFENB13	130	80	200
150	200	EXRCIDPLNFENB15	150	80	200
180	230	EXRCIDPLNFENB18	180	80	200
200	250	EXRCIDPLNFENB20	200	80	200

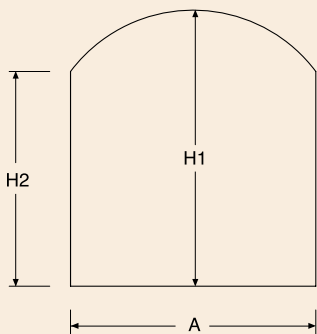


## FCPEDANA1



Pedana 1000 / 900 mm mezza tonda.

*Half round 1000 / 900 mm protection floor.*

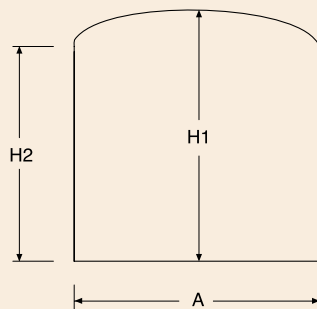


## FCPEDANA2



Pedana 800 / 600 mm arrotondata.

*Round 800 / 600 mm protection floor.*



## SPRAYFERROC



Bomboletta spray per sistema Ferro Camino.

*Spray paint for Ferro Camino system.*

COD.

SPRAYFERROC

COD.

A

H1

H2

FCPEDANA1

900

1000

700

COD.

A

H1

H2

FCPEDANA2

600

800

700

## KITMAGNETI



Kit di montaggio magnetico per rosone.

*Magnetic assembling kit for ceiling hole cover.*

COD.

KITMAGNETI

