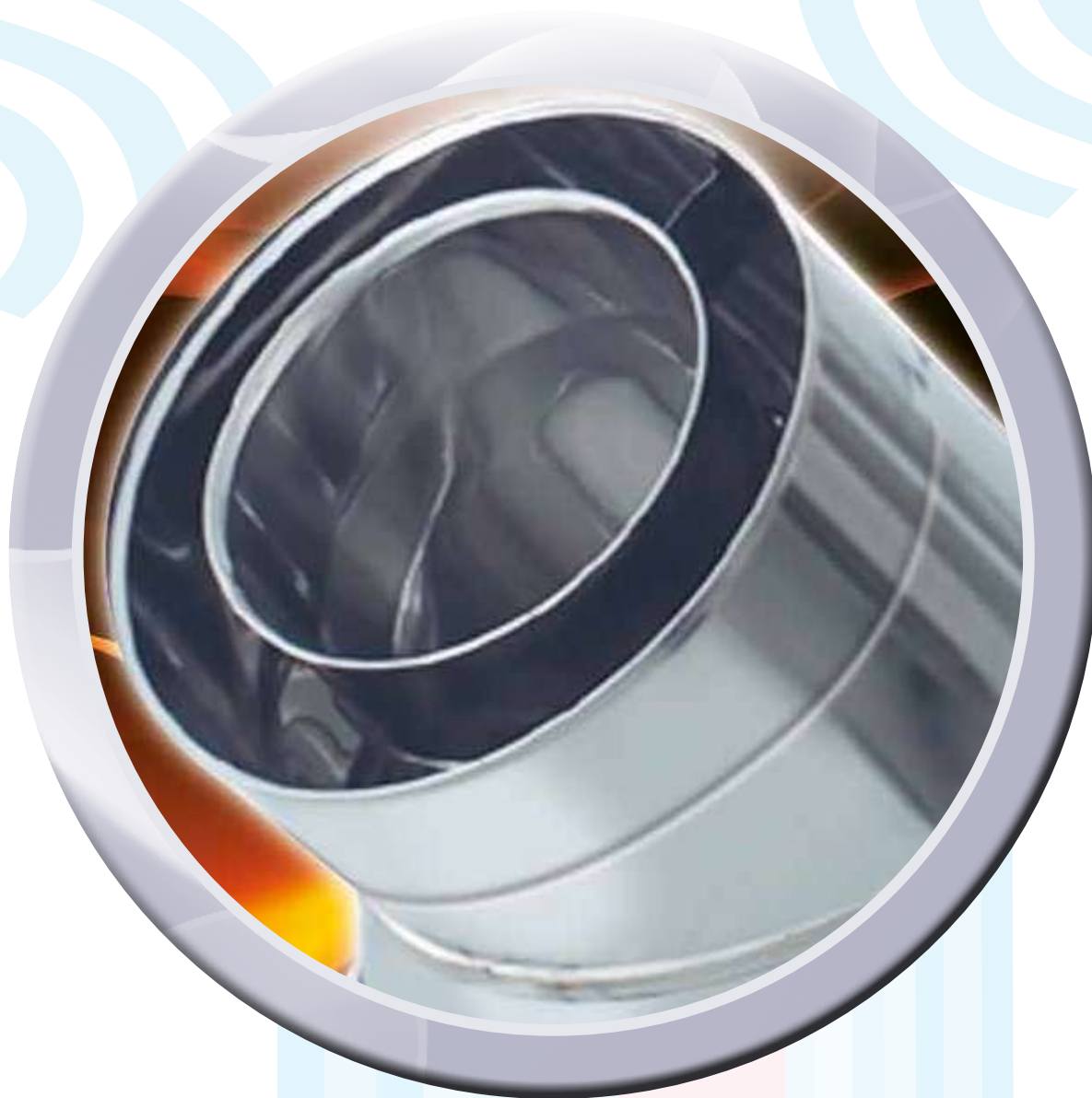




TERMOCOM

S i s t e m i s c a r i c o f u m i



SISTEMA COASSIALE P1
COAXIAL SYSTEM P1

Serie CLVp 3CEp

Serie CLVp 3CEp

Sistema coassiale CLVp 3CEp
Coaxial system CLVp 3CEp

A RICHIESTA
ON REQUEST



Il sistema **coassiale Serie CLVp 3CEp** è composto da elementi componibili rigidi con finitura lucida BA, realizzati in acciaio inox austenitico AISI 316L BA (1.4404) di spessore minimo 0,4 mm conformi agli standard previsti dalla marcatura CE secondo la normativa EN 1856-1. Gli elementi modulari hanno innesto classico a bicchiere maschio-femmina calibrato con guarnizione di tenuta a triplice labbro, conforme alla normativa europea EN 14241-1, e giunzione meccanica con fascetta di sicurezza.

Riferimento normativo e designazione

Marcatura prodotto secondo normativa europea EN 1856-1.

T200 P1 W V2 L50040 O30

T200 P1 W V2 L50050 O30

T200 P1 W V2 L50060 O30

T200 P1 W V2 L50080 O30

Utilizzo

Il sistema CLVp 3CEp è un sistema collettivo di aspirazione d'aria comburente ed evacuazione dei prodotti della combustione destinato ad apparecchi a gas a tenuta stagna di tipo C42, C43, C82 ou C(10)2, C(10)3, C(12)2, C(12)3.

Il sistema funziona in pressione positiva.

Applicazione

Installazione interna.

Diametri disponibili - mm

100/150 - 110/180 - 130/200 - 150/230 - 180/250 -
200/300 - 230/350 - 250/400 **A RICHIESTA**

**GUARNIZIONE IN SILICONE COMPRESA E MONTATA.
FASCETTA DI SICUREZZA COMPRESA.**

Coaxial Serie CLVp 3CEp system is composed by modular elements with BA surface finish, made of austenitic stainless steel AISI 316 LBA (1.4404) minimum thickness of 0.4 mm, according to the standards set out by the European CE mark, EN 1856-1. The modular elements have classic calibrate male-female junction, with triple seal lip gasket, conforming to European standard EN 14241-1, and mechanical connection with locking clamp.

Normative references and designation

Product marking according to the European standard EN 1856-1.

T200 P1 W V2 L50040 O30

T200 P1 W V2 L50050 O30

T200 P1 W V2 L50060 O30

T200 P1 W V2 L50080 O30

Utilizations

The CLVp 3CEp system is a collective system for the intake of combustion air and for the evacuation of combustion products for gas appliances type C42, C43, C82 ou C(10)2, C(10)3, C(12)2, C(12)3.

The system works in positive pressure.

Application

Internal installation.

Available diameters - mm

*100/150 - 110/180 - 130/200 - 150/230 - 180/250 -
200/300 - 230/350 - 250/400 **ON REQUEST***

**ITEMS ARE COMPLETE OF SILICONE SEAL AND
EXTERNAL LOCKING BANDS.**

SI SCONSIGLIA l'installazione di camini / canne fumarie in acciaio inossidabile in locali chiusi dove nell'atmosfera si concentra una forte quantità di vapori alogeni come lavanderie, tintorie, tipografie, saloni di acconciature, cosmesi e simili. Se ciò avvenisse, decadrebbe ogni tipo di responsabilità e garanzia.

WE DO NOT RECOMMEND the use of stainless steel chimneys systems where there is a presence of any halogens in the atmosphere. In installations where this may occur, such as the use of chimney in laundries, dry cleaners', printing premises, hairdressers, cosmetic salons and similar any responsibility and product guarantee's will be invalid.

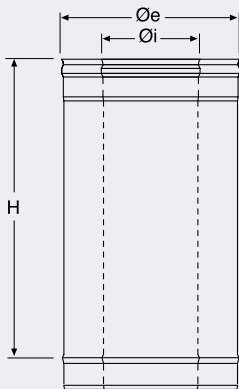


CLVP1...



Elemento lineare da 1 m.

Pipe 1 m.

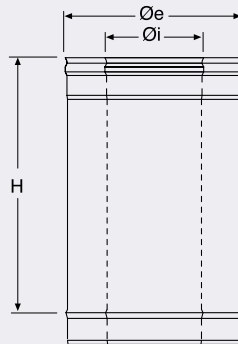


CLVP05...



Elemento lineare da 0,50 m.

Pipe 0.50 m.

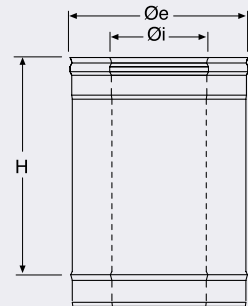


CLVP02...



Elemento lineare da 0,25 m.

Pipe 0.25 m.



Øi	Øe	COD.	H
100	150	CLVP11015	940
110	180	CLVP11118	940
130	200	CLVP11320	940
150	230	CLVP11523	940
180	250	CLVP11825	940
200	300	CLVP12030	940
230	350	CLVP12335	940
250	400	CLVP12540	940

Øi	Øe	COD.	H
100	150	CLVP051015	440
110	180	CLVP051118	440
130	200	CLVP051320	440
150	230	CLVP051523	440
180	250	CLVP051825	440
200	300	CLVP052030	440
230	350	CLVP052335	440
250	400	CLVP052540	440

Øi	Øe	COD.	H
100	150	CLVP021015	190
110	180	CLVP021118	190
130	200	CLVP021320	190
150	230	CLVP021523	190
180	250	CLVP021825	190
200	300	CLVP022030	190
230	350	CLVP022335	190
250	400	CLVP022540	190

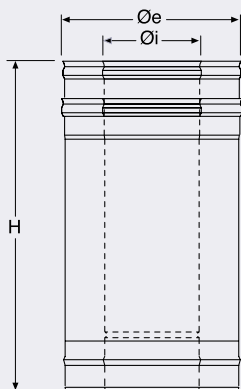
Serie CLVp 3CEp

CLVPEV1...



Elemento telescopico 930-1330 mm.

Adjustable pipe 930-1330 mm.

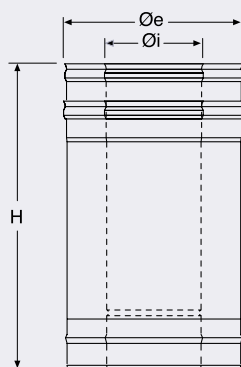


CLVPEV2...



Elemento telescopico 750-1200 mm.

Adjustable pipe 750-1200 mm.

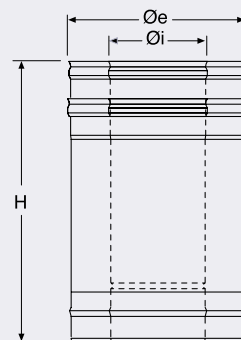


CLVPEV3...



Elemento telescopico 450-800 mm.

Adjustable pipe 450-800 mm.



Øi	Øe	COD.	H
100	150	CLVPEV11015	930-1330
110	180	CLVPEV11118	930-1330
130	200	CLVPEV11320	930-1330
150	230	CLVPEV11523	930-1330
180	250	CLVPEV11825	930-1330
200	300	CLVPEV12030	930-1330
230	350	CLVPEV12335	930-1330
250	400	CLVPEV12540	930-1330

Øi	Øe	COD.	H
100	150	CLVPEV210/15	750-1200
110	180	CLVPEV211/18	750-1200
130	200	CLVPEV213/20	750-1200
150	230	CLVPEV215/23	750-1200
180	250	CLVPEV218/25	750-1200
200	300	CLVPEV220/30	750-1200
230	350	CLVPEV223/35	750-1200
250	400	CLVPEV225/40	750-1200

Øi	Øe	COD.	H
100	150	CLVPEV310/15	450-800
110	180	CLVPEV311/18	450-800
130	200	CLVPEV313/20	450-800
150	230	CLVPEV315/23	450-800
180	250	CLVPEV318/25	450-800
200	300	CLVPEV320/30	450-800
230	350	CLVPEV323/35	450-800
250	400	CLVPEV325/40	450-800

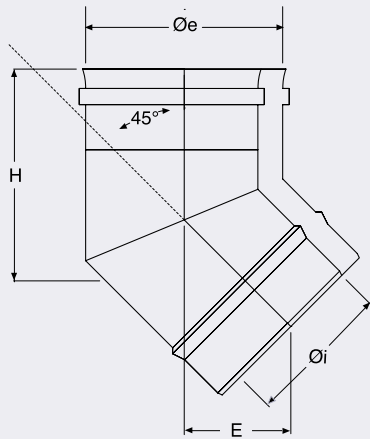


CLVPG45...



Curva a 45°.

Elbow 45°.

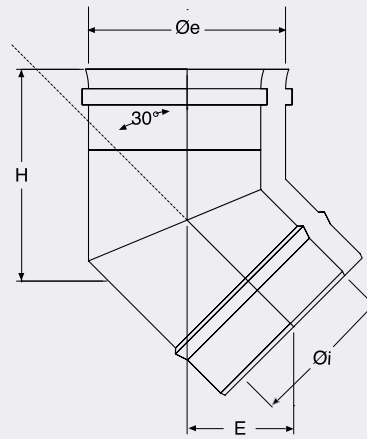


CLVPG30...



Curva a 30°.

Elbow 30°.

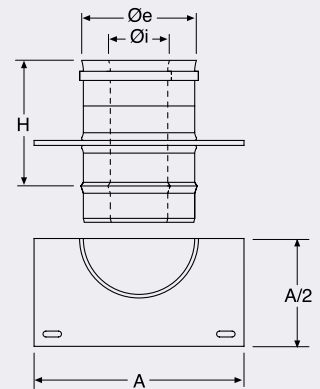


CLVPPI...



Piastra intermedia.

Intermediate anchor plate.



Øi	Øe	COD.	E	H
100	150	CLVPG451015	75	126
110	180	CLVPG451118	79	137
130	200	CLVPG451320	82	143
150	230	CLVPG451523	88	160
180	250	CLVPG451825	91	164
200	300	CLVPG452030	98	184
230	350	CLVPG452335	105	197
250	400	CLVPG452540	114	215

Øi	Øe	COD.	E	H
100	150	CLVPG301015	48	122
110	180	CLVPG301118	51	130
130	200	CLVPG301320	51	135
150	230	CLVPG301523	53	142
180	250	CLVPG301825	54	147
200	300	CLVPG302030	57	160
230	350	CLVPG302335	60	172
250	400	CLVPG302540	63	184

Øi	Øe	COD.	A	H
100	150	CLVPPI10/15	350	190
110	180	CLVPPI11/18	350	190
130	200	CLVPPI13/20	350	190
150	230	CLVPPI15/23	350	190
180	250	CLVPPI18/25	350	190
200	300	CLVPPI20/30	350	190
230	350	CLVPPI23/35	350	190
250	400	CLVPPI25/40	350	190

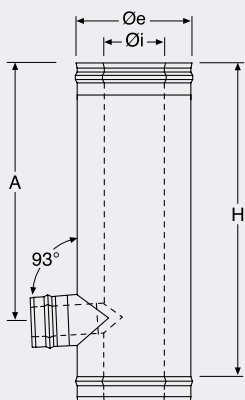
Serie CLVp 3CEp

CLVPCX1...



Raccordo a "T" 93° con condotto coassiale Ø 60 interno (gas) Ø 100 esterno (aria).

93° tee with coaxial duct Ø 60 internal (gas) Ø 100 external (air).

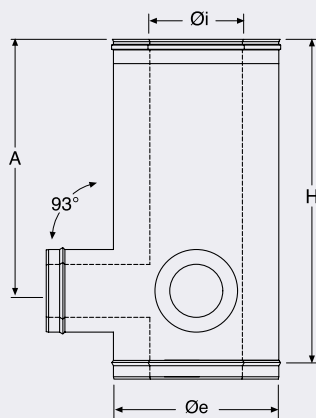


CLVPCX490...



Raccordo a "T" 93° con due condotti a 90° coassiali Ø 60 interno (gas) Ø 100 esterno (aria).

93° tee with two ducts at 90° coaxial Ø 60 internal (gas) Ø 100 external (air).

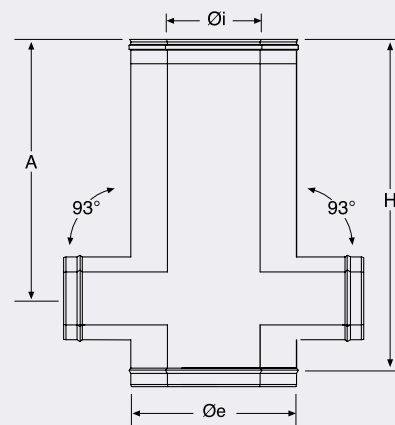


CLVPCX4180...



Raccordo a "T" 93° con due condotti a 180° coassiali Ø 60 interno (gas) Ø 100 esterno (aria).

93° tee with two ducts at 180° coaxial Ø 60 internal (gas) Ø 100 external (air).



Øi	Øe	COD.	A	H
100	150	CLVPCX11015	830	940
110	180	CLVPCX11118	830	940
130	200	CLVPCX11320	830	940
150	230	CLVPCX11523	830	940
180	250	CLVPCX11825	830	940
200	300	CLVPCX12030	830	940
230	350	CLVPCX12335	830	940
250	400	CLVPCX12540	830	940

Øi	Øe	COD.	A	H
100	150	CLVPCX4901015	830	940
110	180	CLVPCX4901118	830	940
130	200	CLVPCX4901320	830	940
150	230	CLVPCX4901523	830	940
180	250	CLVPCX4901825	830	940
200	300	CLVPCX4902030	830	940
230	350	CLVPCX4902335	830	940
250	400	CLVPCX4902540	830	940

Øi	Øe	COD.	A	H
100	150	CLVPCX41801015	830	940
110	180	CLVPCX41801118	830	940
130	200	CLVPCX41801320	830	940
150	230	CLVPCX41801523	830	940
180	250	CLVPCX41801825	830	940
200	300	CLVPCX41802030	830	940
230	350	CLVPCX41802335	830	940
250	400	CLVPCX41802540	830	940

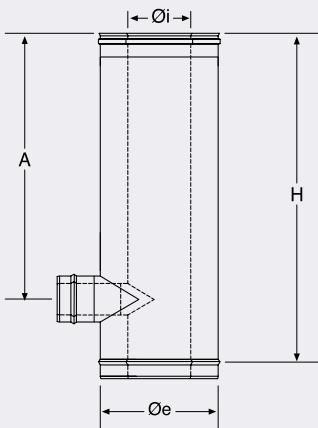


CLVPCX3...



Raccordo a "T" 93° con condotto coassiale Ø 80 interno (gas) Ø 125 esterno (aria).

93° tee with coaxial duct Ø 80 internal (gas) Ø 125 external (air).

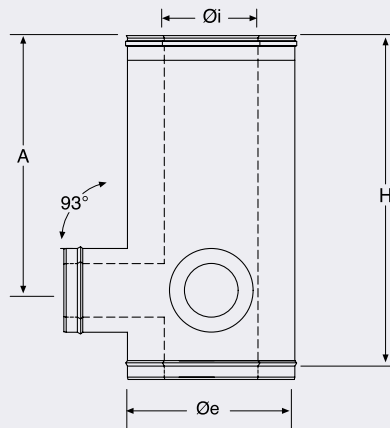


CLVPCX390...



Raccordo a "T" 93° con due condotti a 90° coassiali Ø 80 interno (gas) Ø 125 esterno (aria).

93° tee with two ducts at 90° coaxial Ø 80 internal (gas) Ø 125 external (air).

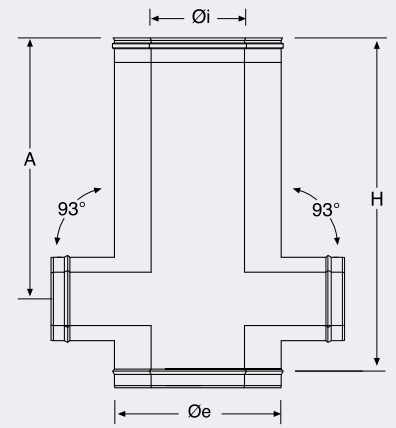


CLVPCX3180...



Raccordo a "T" 93° con due condotti a 180° coassiali Ø 80 interno (gas) Ø 125 esterno (aria).

93° tee with two ducts at 180° coaxial Ø 80 internal (gas) Ø 125 external (air).



Øi	Øe	COD.	A	H
100	150	CLVPCX31015	817	940
110	180	CLVPCX31118	817	940
130	200	CLVPCX31320	817	940
150	230	CLVPCX31523	817	940
180	250	CLVPCX31825	817	940
200	300	CLVPCX32030	817	940
230	350	CLVPCX32335	817	940
250	400	CLVPCX32540	817	940

Øi	Øe	COD.	A	H
100	150	CLVPCX3901015	817	940
110	180	CLVPCX3901118	817	940
130	200	CLVPCX3901320	817	940
150	230	CLVPCX3901523	817	940
180	250	CLVPCX3901825	817	940
200	300	CLVPCX3902030	817	940
230	350	CLVPCX3902335	817	940
250	400	CLVPCX3902540	817	940

Øi	Øe	COD.	A	H
100	150	CLVPCX31801015	817	940
110	180	CLVPCX31801118	817	940
130	200	CLVPCX31801320	817	940
150	230	CLVPCX31801523	817	940
180	250	CLVPCX31801825	817	940
200	300	CLVPCX31802030	817	940
230	350	CLVPCX31802335	817	940
250	400	CLVPCX31802540	817	940

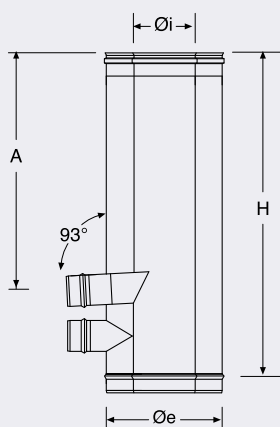
Serie CLVp 3CEp

CLVPR061...



Raccordo a "T" 93° con due condotti Ø 60 monoparete (1 gas + 1 aria) interasse mm 120.

93° tee with two Ø 60 single wall ducts (1 gas + 1 air) interaxis 120 mm.

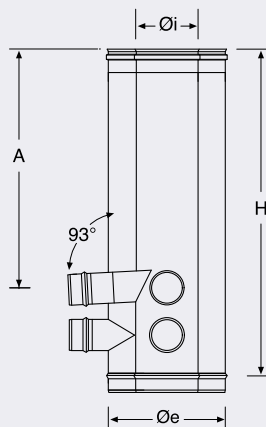


CLVPR06901...



Raccordo a "T" 93° con quattro condotti a 90° Ø 60 monoparete (2 gas + 2 aria) interasse mm 120.

93° tee with four Ø 60 single wall ducts at 90° (2 gas + 2 air) interaxis 120 mm.

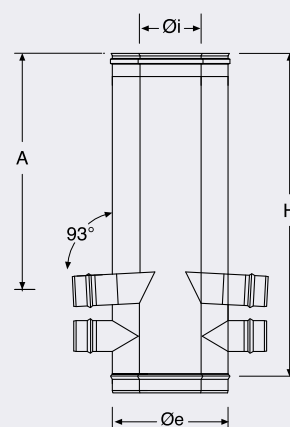


CLVPR081801...



Raccordo a "T" 93° con quattro condotti a 180° Ø 60 monoparete (2 gas + 2 aria) interasse mm 120.

93° tee with four Ø 60 single wall ducts at 180° (2 gas + 2 air) interaxis 120 mm.



Øi	Øe	COD.	A	H
100	150	CLVPR0611015	720	940
110	180	CLVPR0611118	720	940
130	200	CLVPR0611320	720	940
150	230	CLVPR0611523	720	940
180	250	CLVPR0611825	720	940
200	300	CLVPR0612030	720	940
230	350	CLVPR0612335	720	940
250	400	CLVPR0612540	720	940

Øi	Øe	COD.	A	H
100	150	CLVPR069011015	720	940
110	180	CLVPR069011118	720	940
130	200	CLVPR069011320	720	940
150	230	CLVPR069011523	720	940
180	250	CLVPR069011825	720	940
200	300	CLVPR069012030	720	940
230	350	CLVPR069012335	720	940
250	400	CLVPR069012540	720	940

Øi	Øe	COD.	A	H
100	150	CLVPR0818011015	720	940
110	180	CLVPR0818011118	720	940
130	200	CLVPR0818011320	720	940
150	230	CLVPR0818011523	720	940
180	250	CLVPR0818011825	720	940
200	300	CLVPR0818012030	720	940
230	350	CLVPR0818012335	720	940
250	400	CLVPR0818012540	720	940

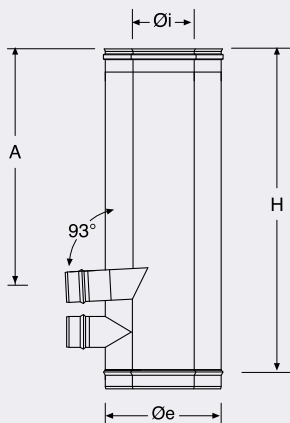


CLVPR081...



Raccordo a "T" 93° con due condotti Ø 80 monoparete (1 gas + 1 aria) interasse mm 120.

93° tee with two Ø 80 single wall ducts (1 gas + 1 air) interaxis 120 mm.

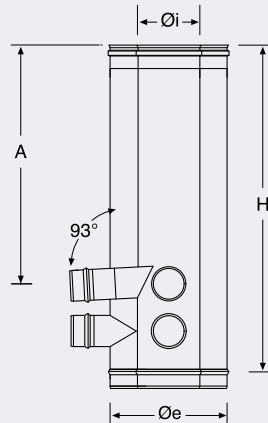


CLVPR08901...



Raccordo a "T" 93° con quattro condotti a 90° Ø 80 monoparete (2 gas + 2 aria) interasse mm 120.

93° tee with four Ø 80 single wall ducts at 90° (2 gas + 2 air) interaxis 120 mm.

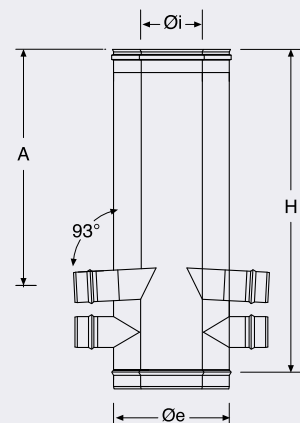


CLVPR08180...



Raccordo a "T" 93° con quattro condotti a 180° Ø 80 monoparete (2 gas + 2 aria) interasse mm 120.

93° tee with four Ø 80 single wall ducts at 180° (2 gas + 2 air) interaxis 120 mm.



\varnothing_i	\varnothing_e	COD.	A	H
100	150	CLVPR0811015	720	940
110	180	CLVPR0811118	720	940
130	200	CLVPR0811320	720	940
150	230	CLVPR0811523	720	940
180	250	CLVPR0811825	720	940
200	300	CLVPR0812030	720	940
230	350	CLVPR0812335	720	940
250	400	CLVPR0812540	720	940

\varnothing_i	\varnothing_e	COD.	A	H
100	150	CLVPR089011015	720	940
110	180	CLVPR089011118	720	940
130	200	CLVPR089011320	720	940
150	230	CLVPR089011523	720	940
180	250	CLVPR089011825	720	940
200	300	CLVPR089012030	720	940
230	350	CLVPR089012335	720	940
250	400	CLVPR089012540	720	940

\varnothing_i	\varnothing_e	COD.	A	H
100	150	CLVPR081801015	720	940
110	180	CLVPR081801118	720	940
130	200	CLVPR081801320	720	940
150	230	CLVPR081801523	720	940
180	250	CLVPR081801825	720	940
200	300	CLVPR081802030	720	940
230	350	CLVPR081802335	720	940
250	400	CLVPR081802540	720	940

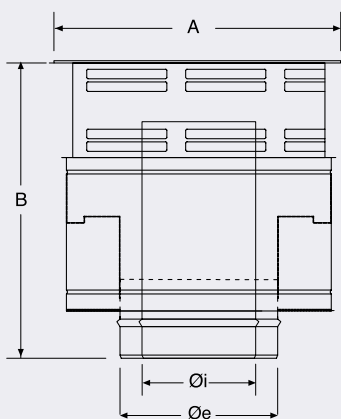
Serie CLVp 3CEp

CLVPTDE...



Terminale antivento doppio con ventilazione aria.

Double anti downdraught terminal with air ventilation.

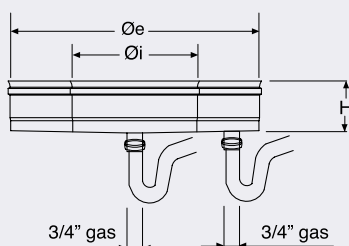


CLVPSC2...



Tappo scarico condensa con doppio manicotto filettato.

Tee cap with condense drain and double threaded sleeve.

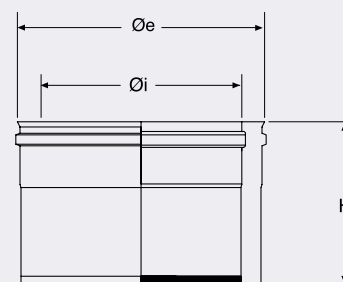


CLVPTCS...



Tappo cieco.

Tee cap.



Øi	Øe	COD.	A	B
100	150	CLVPTDE1015	300	410
110	180	CLVPTDE1118	350	450
130	200	CLVPTDE1320	350	460
150	230	CLVPTDE1523	400	520
180	250	CLVPTDE1825	450	570
200	300	CLVPTDE2030	500	620
230	350	CLVPTDE2335	750	850
250	400	CLVPTDE2540	850	950

Øi	Øe	COD.	H
100	150	CLVPSC21015	80
110	180	CLVPSC21118	80
130	200	CLVPSC21320	80
150	230	CLVPSC21523	80
180	250	CLVPSC21825	80
200	300	CLVPSC22030	80
230	350	CLVPSC22335	80
250	400	CLVPSC22540	80

Øi	Øe	COD.	H
100	150	CLVPTCS1015	65
110	180	CLVPTCS1118	65
130	200	CLVPTCS1320	65
150	230	CLVPTCS1523	65
180	250	CLVPTCS1825	65
200	300	CLVPTCS2030	65
230	350	CLVPTCS2335	65
250	400	CLVPTCS2540	65



CLVPSIFONE



Sifone.

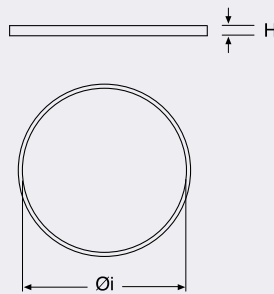
Siphon.

F3000/RING...



Guarnizione di tenuta in silicone nero.

Silicon black seal.

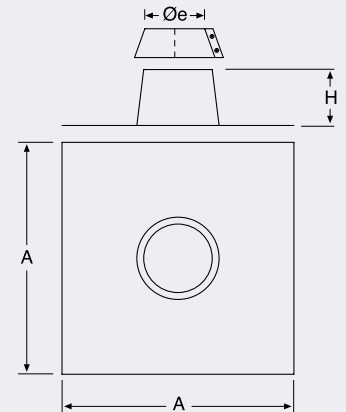


316COCAP...



Faldale piano con fascetta anti intemperie.

Flat flashing with storm collar.



COD.
CLVPSIFONE

Øi	Øe	COD.	H
100	150	F3000/RING100	10
110	180	F3000/RING110	10
130	200	F3000/RING130	10
150	230	F3000/RING150	10
180	250	F3000/RING180	10
200	300	F3000/RING200	10
230	350	F3000/RING230	10
250	400	F3000/RING250	10

Øi	Øe	COD.	A	H
100	150	316COCAP150	500	150
110	180	316COCAP180	500	170
130	200	316COCAP200	600	180
150	230	316COCAP230	600	210
180	250	316COCAP250	600	210
200	300	316COCAP300	600	230
230	350	316COCAP350	680	230
250	400	316COCAP400	700	200

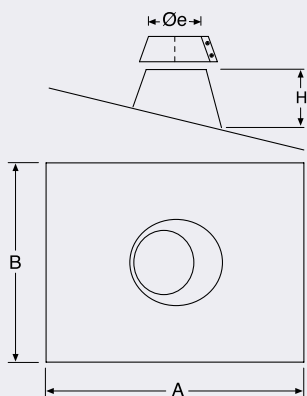
Serie CLVp 3CEp

326COCAG...



Faldale regolabile da 5° a 30° con base in piombo e fascetta anti intemperie.

Adjustable flashing from 5° to 30° with lead base and storm collar.

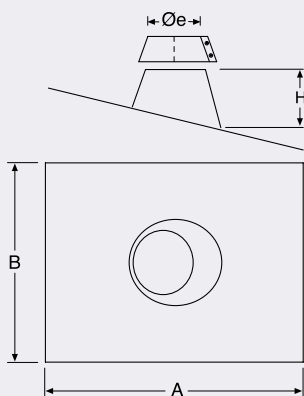


356COCAG45...



Faldale regolabile da 30° a 45° con base in piombo e fascetta anti intemperie.

Adjustable flashing from 30° to 45° with lead base and storm collar.

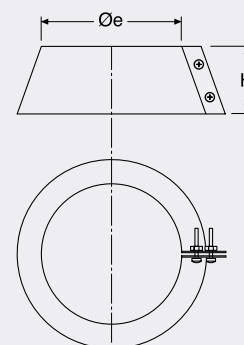


328VIG...



Fascetta anti intemperie.

Storm collar.



Øi	Øe	COD.	A	B	H
100	150	326COCAG150	600	600	150
110	180	326COCAG180	800	800	170
130	200	326COCAG200	800	800	180
150	230	326COCAG230	800	800	210
180	250	326COCAG250	800	800	210
200	300	326COCAG300	800	800	230
230	350	326COCAG350	1000	800	230
250	400	326COCAG400	1000	1000	200

Øi	Øe	COD.	A	B	H
100	150	356COCAG45150	800	800	150
110	180	356COCAG45180	800	800	170
130	200	356COCAG45200	800	800	180
150	230	356COCAG45230	1000	800	210
180	250	356COCAG45250	1000	800	210
200	300	356COCAG45300	1000	800	230
230	350	356COCAG45350	1000	1000	250
250	400	356COCAG45400	1000	1000	250

Øi	Øe	COD.	H
100	150	328VIG150	100
110	180	328VIG180	100
130	200	328VIG200	100
150	230	328VIG230	100
180	250	328VIG250	100
200	300	328VIG300	100
230	350	328VIG350	100
250	400	328VIG400	100

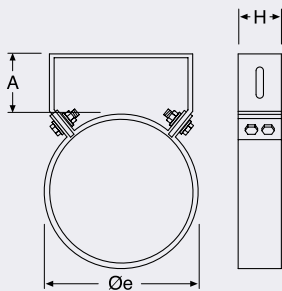


330BMG...



Collare a muro regolabile. Non utilizzare con cod. CLVPEV1, CLVPEV2 e CLVPEV3.

Adjustable wall bracket. Do not use with cod. CLVPEV1, CLVPEV2 and CLVPEV3.

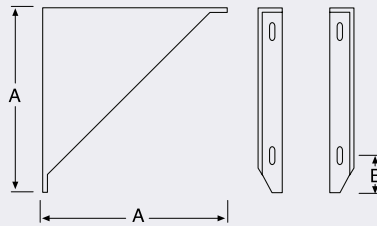


F354CS...



Coppia di supporti per piastra.

Cantilever brackets (pair).

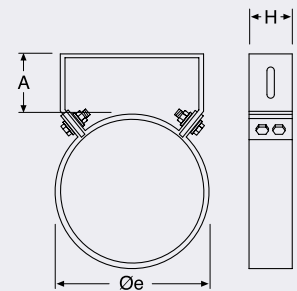


330BMGR...



Collare a muro regolabile da 50 a 100 mm rinforzato. Utilizzare con cod. CLVPEV1, CLVPEV2 e CLVPEV3.

Adjustable wall bracket from 50 to 100 mm reinforced. To be used with cod. CLVPEV1, CLVPEV2 and CLVPEV3.



Øi	Øe	COD.	A	H
100	150	330BMG150	50-100	40
110	180	330BMG180	50-100	40
130	200	330BMG200	50-100	40
150	230	330BMG230	50-100	40
180	250	330BMG250	50-100	40
200	300	330BMG300	50-100	40
230	350	330BMG350	50-100	40
250	400	330BMG400	50-100	100

Øi	Øe	COD.	A	B
100	150	F354CS150	250	32
110	180	F354CS180	280	32
130	200	F354CS200	300	32
150	230	F354CS230	330	32
180	250	F354CS250	350	32
200	300	F354CS300	400	32
230	350	F354CS350	450	32
250	400	F354CS400	500	32

Øi	Øe	COD.	A	H
100	150	330BMGR150	50-100	40
110	180	330BMGR180	50-100	40
130	200	330BMGR200	50-100	40
150	230	330BMGR230	50-100	40
180	250	330BMGR250	50-100	40
200	300	330BMGR300	50-100	40
230	350	330BMGR350	50-100	40
250	400	330BMGR400	50-100	100

Serie CLVp 3CEp

F305BRI...



Fascetta di sicurezza.

Locking band.

LUBGN



Lubrificante per guarnizione.

Lubricant for seal.

Øi	Øe	COD.	H
100	150	F305BRI150	20
110	180	F305BRI180	20
130	200	F305BRI200	20
150	230	F305BRI230	20
180	250	F305BRI250	20
200	300	F305BRI300	20
230	350	F305BRI350	20
250	400	F305BRI400	20

COD.
LUBGN



A RICHIESTA
ON REQUEST

KIT

DN 110/180 - DN 130/200 - DN 150/230

COD.: CLVPKITT...

KIT TETTO	ROOF KIT	COD.	PCS
Terminale	Terminal	CLVPTDE	1
Tubo conc. 1 m	Conc. pipe 1 m	CLVP1	1
Faldale piano con fascetta anti intemperie	Flat flashing with storm collar	316COCAP	1

COD.: CLVPKITTB...

KIT TETTO "B"	ROOF "B" KIT	COD.	PCS
Terminale	Terminal	CLVPTDE	1
Tubo conc. 1 m	Conc. pipe 1 m	CLVP1	1
Fascetta anti intemperie	Storm collar	328VIG	1

COD.: CLVPKITI...

KIT INTERPIANO	FLOOR KIT	COD.	PCS
T 93° h 940 mm uscita 80/125	93° tee h 940 mm outlet 80/125	CLVPCX3	1
Elem. telescopico 750-1200 mm	Adjustable pipe 750-1200 mm	CLVPEV2	1
Tubo conc. 1 m	Conc. pipe 1 m	CLVP1	1
Collare a muro regolabile	Adjustable wall bracket	330BMG	1

COD.: CLVPKITP...

KIT DI PARTENZA	STARTING KIT	COD.	PCS
T 93° h 940 mm uscita 80/125	93° tee h 940 mm outlet 80/125	CLVPCX3	1
Piastra intermedia	Intermediate anchor plate	CLVPPI	1
Coppia supporti	Cantilever brackets	F354CS	1
Scarico condensa	Tee cap with condense drain	CLVPSC2	1
Sifone	Siphon	CLVPSIFONE	1

