



TERMOCOM

S i s t e m i s c a r i c o f u m i

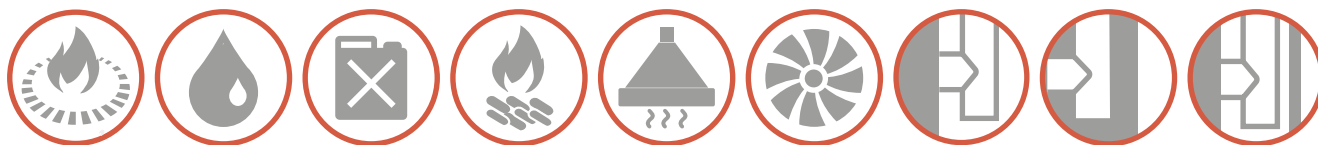


DOPPIA PARETE ARIA ARABESCATO
DOUBLE WALL AIR ARABESCATO

Serie 500

Serie 500

Sistema doppia parete aria arabescato Double wall air arabescato system



Il sistema **doppia parete aria arabescato Serie 500** è composto da elementi componibili rigidi con finitura lucida BA, realizzati con parete interna in acciaio inox austenitico AISI 316L BA (EN 1.4404) di spessore minimo 0,4 mm e parete esterna arabescata, conformi agli standard previsti dalla marcatura CE secondo la normativa EN 1856/1-2. La coibentazione è realizzata con "lama d'aria" statica di spessore 10 mm. Gli elementi modulari hanno innesto classico a bicchiere maschio-femmina calibrato per entrambi le pareti con guarnizione di tenuta a triplice labbro da inserire sulla parete interna, conforme alla normativa europea EN 14241-1, e giunzione meccanica con fascetta di sicurezza.

Riferimento normativo e designazione

Marcatura del prodotto secondo la normativa europea:
CE 0476 EN 1856-1 / EN 1856-2.

T200 P1 W V2 L50040* O 20 con guarnizione
T600 N1 W V2 L50040 G500 M

* La designazione può variare in funzione della qualità e dello spessore della materia prima come indica la tabella di seguito:

V2 AISI 316L		Vm AISI 304		ISOL.	SPESSORI
EN 1856-1	TERMOCOM	EN 1856/1-2	TERMOCOM		
L50040	500	L20040	E500	10 mm	0,4 mm
L50050	500	L20050	E500	10 mm	0,5 mm

Utilizzo

Condotti, canali da fumo, camini metallici, esalazioni aria asserviti a generatori di calore di tipo atmosferico, pressurizzato, ad aria soffiata, tradizionali o a condensazione, cappe cucina per uso industriale o domestico, stufe a pellet.

Applicazione

Installazione interna o esterna.

Diametri disponibili - mm

60/80 A RICHIESTA - 80/100 - 100/120 - 130/150 - 160/180 - 180/200 - 200/220 - **230/250 A RICHIESTA.**

GUARNIZIONI E FASCETTE A CORREDO

SI SCONSIGLIA l'installazione di camini / canne fumarie in acciaio inossidabile in locali chiusi dove nell'atmosfera si concentra una forte quantità di vapori alogeni come lavanderie, tintorie, tipografie, saloni di acconciature, cosmesi e simili. Se ciò avvenisse, decadrebbe ogni tipo di responsabilità e garanzia.

Double wall air arabescato Serie 500 system is composed by modular rigid elements with BA surface finish, made with the inner wall of austenitic stainless steel AISI 316L BA (EN 1.4404) minimum thickness of 0.4 mm and outer wall in arabescato pattern, according to the standards set out by the European CE mark, EN 1856/1-2. Insulation made with "air-blade" system, 10 mm thickness. The modular elements have classic male-female junction calibrated for both sides, with triple seal lip gasket, conforming to European standard EN 14241-1, and mechanical connection with locking clamp.

Normative references and designation

Product marking according to the European standard:
CE 0476 EN 1856-1 / EN 1856-2.

T200 P1 W V2 L50040* O 20 with seal
T600 N1 W V2 L50040 G500 M

* The designation may vary according to the quality and thickness of the raw material, as indicated in the table below:

V2 AISI 316L		Vm AISI 304		INSUL.	THICKNESS
EN 1856-1	TERMOCOM	EN 1856/1-2	TERMOCOM		
L50040	500	L20040	E500	10 mm	0.4 mm
L50050	500	L20050	E500	10 mm	0.5 mm

Utilizations

Ducts, flue pipes, metal chimneys, air conduction subservient to atmospheric heat generators, pressurized, air blown, traditional or condensing, industrial or domestic kitchen hoods, pellet stoves.

Application

Internal or external installation.

Available diameters - mm

60/80 ON REQUEST - 80/100 - 100/120 - 130/150 - 160/180 - 180/200 - 200/220 - **230/250 ON REQUEST.**

SEALS AND LOCKING BANDS SUPPLIED

WE DO NOT RECOMMEND the use of stainless steel chimneys systems where there is a presence of any halogens in the atmosphere. In installations where this may occur, such as the use of chimney in laundries, dry cleaners', printing premises, hairdressers, cosmetic salons and similar any responsibility and product guarantee's will be invalid.

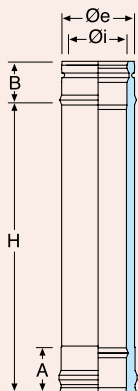


542TDPR...



Elemento lineare da 2 m.

Pipe 2 m.

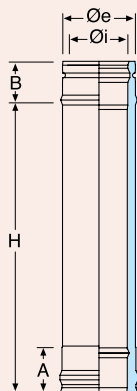


501TDPR...

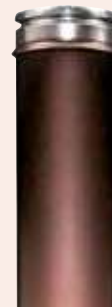


Elemento lineare da 1 m.

Pipe 1 m.

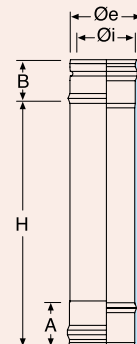


502TDPR...



Elemento lineare da 0,50 m.

Pipe 0.50 m.



Øi	Øe	COD.	A	B	H
60	80	542TDPR060	65	54	1940
80	100	542TDPR080	65	54	1940

Øi	Øe	COD.	A	B	H
60	80	501TDPR060	65	54	940
80	100	501TDPR080	65	54	940
100	120	501TDPR100	65	54	940
130	150	501TDPR130	65	54	940
160	180	501TDPR160	65	54	940
180	200	501TDPR180	65	54	940
200	220	501TDPR200	65	54	940

Øi	Øe	COD.	A	B	H
60	80	502TDPR060	65	54	440
80	100	502TDPR080	65	54	440
100	120	502TDPR100	65	54	440
130	150	502TDPR130	65	54	440
160	180	502TDPR160	65	54	440
180	200	502TDPR180	65	54	440
200	220	502TDPR200	65	54	440

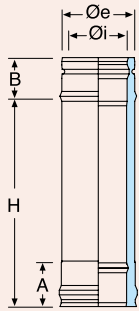
Serie 500

540TDPR...



Elemento lineare da 0,33 m.

Pipe 0.33 m.

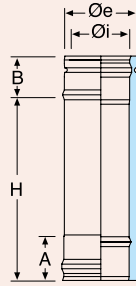


503TDPR...



Elemento lineare da 0,25 m.

Pipe 0.25 m.

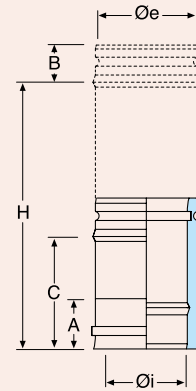


504TEXDPR...



Elemento telescopico.

Adjustable pipe.



Øi	Øe	COD.	A	B	H
60	80	#	#	#	#
80	100	540TDPR080	65	54	270
100	120	540TDPR100	65	54	270
130	150	540TDPR130	65	54	270
160	180	540TDPR160	65	54	270
180	200	540TDPR180	65	54	270
200	220	540TDPR200	65	54	270

Øi	Øe	COD.	A	B	H
60	80	503TDPR060	65	54	190
80	100	503TDPR080	65	54	190
100	120	503TDPR100	65	54	190
130	150	503TDPR130	65	54	190
160	180	503TDPR160	65	54	190
180	200	503TDPR180	65	54	190
200	220	503TDPR200	65	54	190

Øi	Øe	COD.	A	B	C	H
60	80	#	#	#	#	#
80	100	504TEXDPR080	65	54	257	390
100	120	504TEXDPR100	65	54	257	390
130	150	504TEXDPR130	65	54	257	390
160	180	504TEXDPR160	65	54	257	390
180	200	504TEXDPR180	65	54	257	390
200	220	504TEXDPR200	65	54	257	390

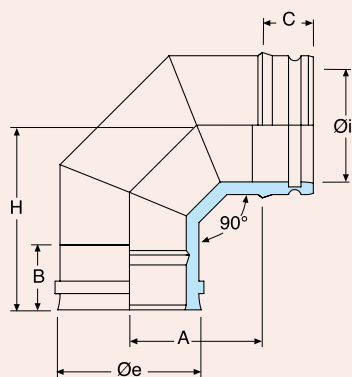


515CDPR...



Curva a 90°.

Elbow 90°.

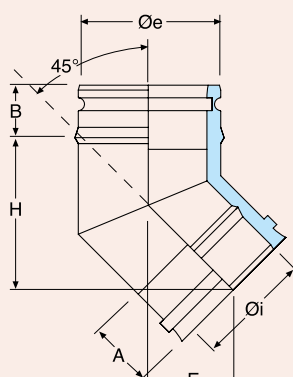


507CDPR...



Curva a 45°.

Elbow 45°.

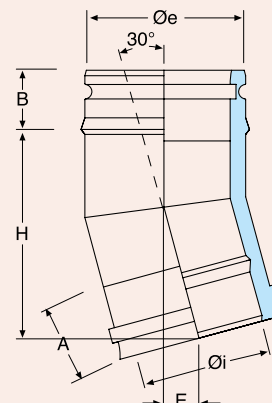


506CDPR...



Curva a 30°.

Elbow 30°.



Øi	Øe	COD.	A	B	C	H
60	80	*	76	65	54	134
80	100	515CDPR080	145	65	54	149
100	120	515CDPR100	150	65	54	154
130	150	515CDPR130	160	65	54	155
160	180	515CDPR160	180	65	54	181
180	200	515CDPR180	185	65	54	184
200	220	515CDPR200	-	65	54	-

Øi	Øe	COD.	A	B	E	H
60	80	507CDPR060	65	54	60	91
80	100	507CDPR080	65	54	64	98
100	120	507CDPR100	65	54	67	105
130	150	507CDPR130	65	54	75	126
160	180	507CDPR160	65	54	79	137
180	200	507CDPR180	65	54	82	143
200	220	507CDPR200	65	54	88	160

Øi	Øe	COD.	A	B	E	H
60	80	#	#	#	#	#
80	100	506CDPR080	65	54	44	116
100	120	506CDPR100	65	54	46	119
130	150	506CDPR130	65	54	48	122
160	180	506CDPR160	65	54	51	130
180	200	506CDPR180	65	54	51	135
200	220	506CDPR200	65	54	53	142

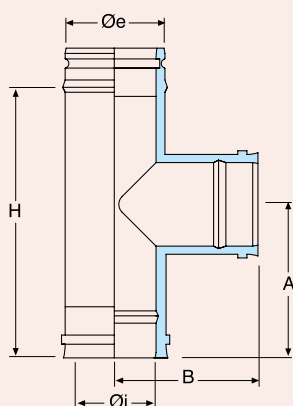
Serie 500

509TDPR...



Raccordo a "T" 90°.

90° tee.

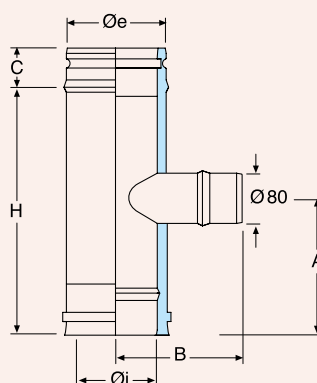


508T80DPR...



Raccordo a "T" 90° uscita monoparete ridotta a Ø 80 mm.

Tee 90° reduced Ø 80 mm single wall.

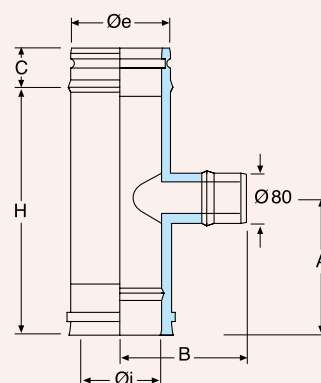


508T80DPRUDP...



Raccordo a "T" 90° uscita doppia parete ridotta a Ø 80 mm.

Tee 90° reduced Ø 80 mm double wall.



Øi	Øe	COD.	A	B	H
60	80	509TDPR060	123	128	190
80	100	509TDPR080	123	138	190
100	120	509TDPR100	163	148	270
130	150	509TDPR130	160	155	270
160	180	509TDPR160	160	170	270
180	200	509TDPR180	245	180	440
200	220	509TDPR200	245	190	440

Øi	Øe	COD.	A	B	C	H
60	80	#	#	#	#	#
80	100	508T80DPR080	125	70	54	190
100	120	508T80DPR100	125	80	54	190
130	150	508T80DPR130	125	95	54	190
160	180	508T80DPR160	125	110	54	190
180	200	508T80DPR180	125	120	54	190
200	220	508T80DPR200	125	130	54	190

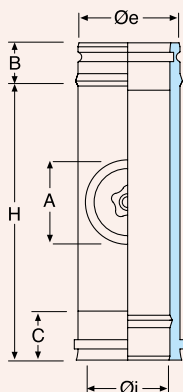
Øi	Øe	COD.	A	B	C	H
60	80	#	#	#	#	#
80	100	#	#	#	#	#
100	120	508T80DPRUDP100	125	80	54	190
130	150	508T80DPRUDP130	125	95	54	190
160	180	508T80DPRUDP160	125	110	54	190
180	200	508T80DPRUDP180	125	120	54	190
200	220	508T80DPRUDP200	125	130	54	190



520TIDPR...



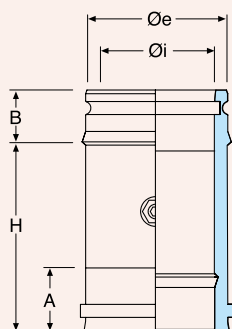
Elemento con portello tondo per ispezione T 200°.
Inspection element with round test point T 200°.



519TCDPR...



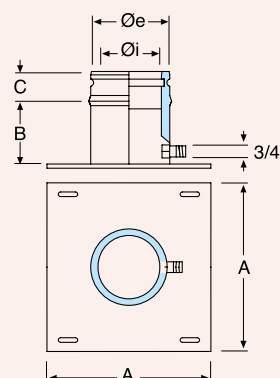
Elemento per prelievo fumi.
Fumes test section with threaded sleeve.



536PSDPR...



Piastra di partenza con scarico laterale.
Base plate with drain plug.



Øi	Øe	COD.	A	B	C	H
60	80	520TIDPR060	60	54	65	190
80	100	520TIDPR080	80	54	65	190
100	120	520TIDPR100	100	54	65	270
130	150	520TIDPR130	130	54	65	270
160	180	520TIDPR160	160	54	65	270
180	200	520TIDPR180	180	54	65	440
200	220	520TIDPR200	200	54	65	440

Øi	Øe	COD.	A	B	H
60	80	#	#	#	#
80	100	519TCDPR080	65	54	190
100	120	519TCDPR100	65	54	190
130	150	519TCDPR130	65	54	190
160	180	519TCDPR160	65	54	190
180	200	519TCDPR180	65	54	190
200	220	519TCDPR200	65	54	190

Øi	Øe	COD.	A	B	C
60	80	#	#	#	#
80	100	536PSDPR080	200	100	54
100	120	536PSDPR100	220	100	54
130	150	536PSDPR130	250	100	54
160	180	536PSDPR160	280	100	54
180	200	536PSDPR180	300	100	54
200	220	536PSDPR200	320	100	54

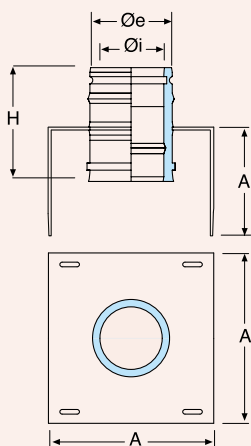
Serie 500

514SMDPR...



Piastra intermedia completa di coppia supporti.

Intermediate anchor plate with cantilever brackets.

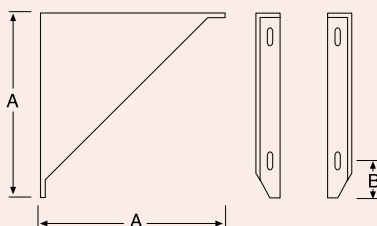


RL316CS...



Coppia di supporti per piastra.

Cantilever brackets (pair).

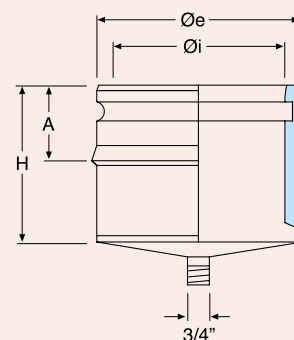


524PDPR...



Scarico condensa.

Tee cap with condense drain.



Øi	Øe	COD.	A	H
60	80	#	#	#
80	100	514SMDPR080	200	65
100	120	514SMDPR100	220	65
130	150	514SMDPR130	250	65
160	180	514SMDPR160	280	65
180	200	514SMDPR180	300	65
200	220	514SMDPR200	320	65

Øi	Øe	COD.	A	B
60	80	#	#	#
80	100	RL316CS10	200	32
100	120	RL316CS12	220	32
130	150	RL316CS15	250	32
160	180	RL316CS18	280	32
180	200	RL316CS20	300	32
200	220	RL316CS22	320	32

Øi	Øe	COD.	A	H
60	80	524PDPR060	54	115
80	100	524PDPR080	54	115
100	120	524PDPR100	54	115
130	150	524PDPR130	54	115
160	180	524PDPR160	54	115
180	200	524PDPR180	54	115
200	220	524PDPR200	54	115

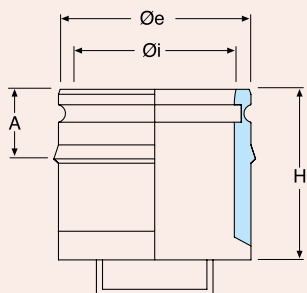


523TC...



Tappo cieco.

Tee cap.

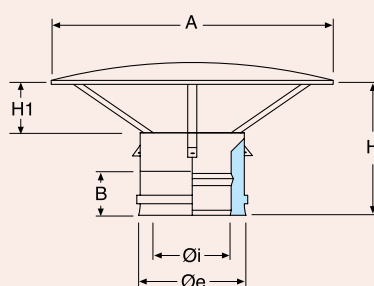


511SDPR...



Cappello cinese.

Rain cap.

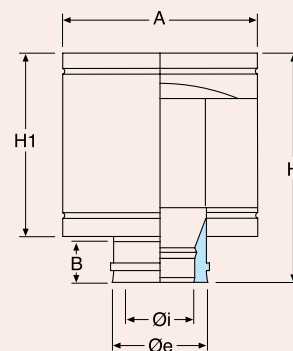


535SDPAR...



Terminale anti intemperie.

Anti downdraught terminal.



Øi	Øe	COD.	A	H
60	80	523TC060	54	115
80	100	523TC080	54	115
100	120	523TC100	54	115
130	150	523TC130	54	115
160	180	523TC160	54	115
180	200	523TC180	54	115
200	220	523TC200	54	115

Øi	Øe	COD.	A	B	H	H1
60	80	511SDPR060	180	65	185	50
80	100	511SDPR080	230	65	205	70
100	120	511SDPR100	265	65	205	70
130	150	511SDPR130	265	65	210	75
160	180	511SDPR160	320	65	225	90
180	200	511SDPR180	320	65	235	100
200	220	511SDPR200	400	65	250	115

Øi	Øe	COD.	A	B	H	H1
60	80	535SDPAR060	185	65	240	165
80	100	535SDPAR080	185	65	240	165
100	120	535SDPAR100	220	65	240	165
130	150	535SDPAR130	260	65	260	200
160	180	535SDPAR160	300	65	280	200
180	200	535SDPAR180	310	65	320	250
200	220	535SDPAR200	370	65	340	250

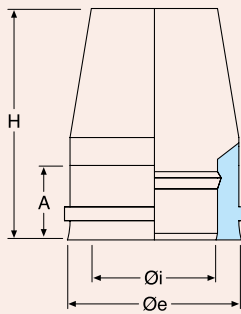
Serie 500

517FCDPR...



Terminale tronco conico.

Venturi cone terminal.

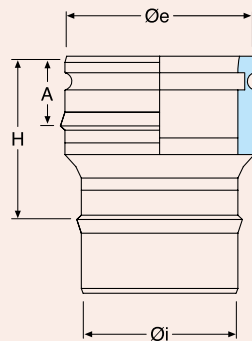


518EDPR...



Raccordo ingresso mono - doppia
(raccordo per caldaia).

*Adaptor from single to double wall
(boiler adaptor).*

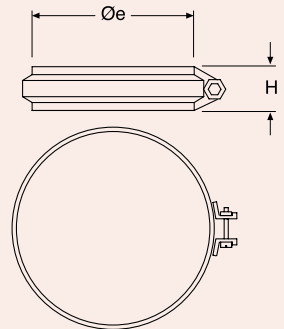


505BRIDPR...



Fascetta di sicurezza.

Locking band.



Øi	Øe	COD.	A	H
60	80	517FCDPR060	65	235
80	100	517FCDPR080	65	235
100	120	517FCDPR100	65	235
130	150	517FCDPR130	65	235
160	180	517FCDPR160	65	235
180	200	517FCDPR180	65	235
200	220	517FCDPR200	65	235

Øe	COD.	A	H
80	#	#	#
100	518EDPR080	54	140
120	518EDPR100	54	140
150	518EDPR130	54	140
180	518EDPR160	54	140
200	518EDPR180	54	140
220	518EDPR200	54	140

Øi	Øe	COD.	H
60	80	505BRIDPR060	20
80	100	505BRIDPR080	20
100	120	505BRIDPR100	20
130	150	505BRIDPR130	20
160	180	505BRIDPR160	20
180	200	505BRIDPR180	20
200	220	505BRIDPR200	20

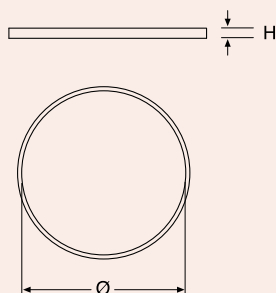


F3000/RING...

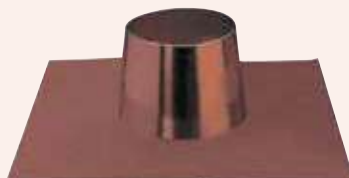


Guarnizione di tenuta in silicone nero.

Silicon black seal.

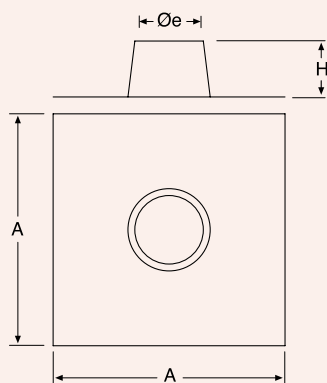


531CADPAR...



Faldale piano.

Flat flashing.

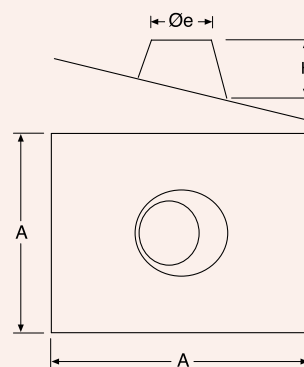


RL316FPS5S...



Faldale regolabile da 5° a 30°.

Adjustable flashing from 5° to 30°.



Ø	COD.	H
60	F3000/RING060	10
80	F3000/RING080	10
100	F3000/RING100	10
130	F3000/RING130	10
160	F3000/RING160	10
180	F3000/RING180	10
200	F3000/RING200	10

Øi	Øe	COD.	A	H
60	80	531CADPAR060	400	120
80	100	531CADPAR080	400	120
100	120	531CADPAR100	400	130
130	150	531CADPAR130	500	150
160	180	531CADPAR160	500	170
180	200	531CADPAR180	600	180
200	220	531CADPAR200	600	210

Øi	Øe	COD.	A	H
60	80	RL316FPS5S08	400	120
80	100	RL316FPS5S10	400	120
100	120	RL316FPS5S12	400	130
130	150	RL316FPS5S13	500	150
160	180	RL316FPS5S18	500	170
180	200	RL316FPS5S20	600	180
200	220	RL316FPS5S22	600	210

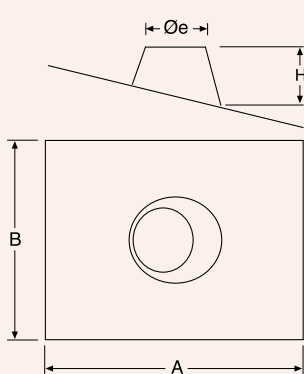
Serie 500

RL316FPS3S...



Faldale regolabile da 30° a 45°.

Adjustable flashing from 30° to 45°.

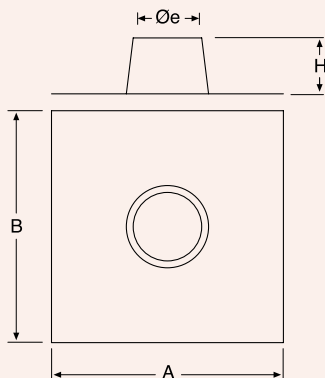


RBFL304AFPPSS...



Faldale piano con base in alluminio.

Flat flashing with aluminum base.

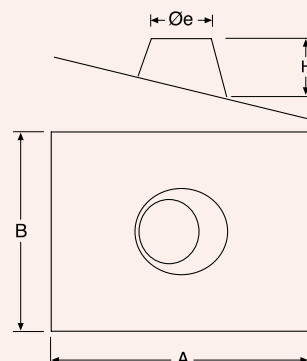


RBFL304AFPS5S...



Faldale regolabile da 5° a 30° con base in alluminio.

Adjustable flashing from 5° to 30° with aluminum base.



Øi	Øe	COD.	A	B	H
60	80	RL316FPS3S08	550	450	120
80	100	RL316FPS3S10	550	450	120
100	120	RL316FPS3S12	550	450	130
130	150	RL316FPS3S15	650	550	150
160	180	RL316FPS3S18	750	650	170
180	200	RL316FPS3S20	750	650	180
200	220	RL316FPS3S22	750	650	210

Øi	Øe	COD.	A	B	H
60	80	RBFL304AFPPSS08	450	550	120
80	100	RBFL304AFPPSS10	450	550	120
100	120	RBFL304AFPPSS12	550	650	130
130	150	RBFL304AFPPSS15	550	650	150
160	180	RBFL304AFPPSS18	650	750	170
180	200	RBFL304AFPPSS20	650	750	180
200	220	RBFL304AFPPSS22	650	750	210

Øi	Øe	COD.	A	B	H
60	80	RBFL304AFPS5S08	750	450	120
80	100	RBFL304AFPS5S10	750	450	120
100	120	RBFL304AFPS5S12	850	550	130
130	150	RBFL304AFPS5S15	850	550	150
160	180	RBFL304AFPS5S18	1000	650	170
180	200	RBFL304AFPS5S20	1000	650	180
200	220	RBFL304AFPS5S22	1000	650	210

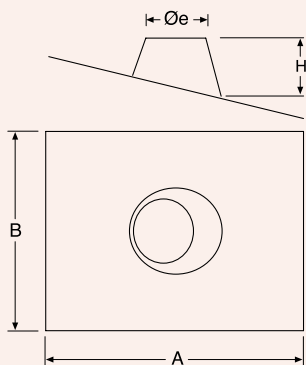


516CADPR...



Faldale regolabile da 5° a 30° con base in piombo.

Adjustable flashing from 5° to 30° with lead base.

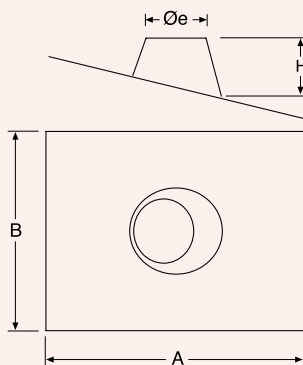


RBFL304FPS3S...



Faldale regolabile da 30° a 45° con base in piombo.

Adjustable flashing from 30° to 45° with lead base.

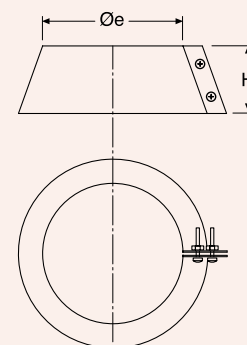


522VDPR...



Fascetta anti intemperie.

Storm collar.



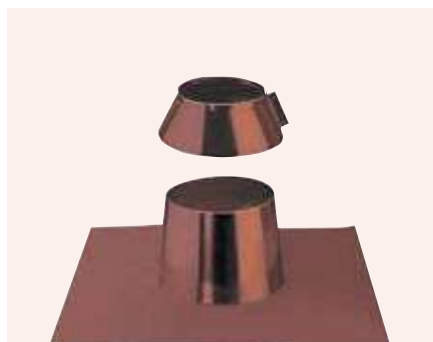
Øi	Øe	COD.	A	B	H
60	80	516CADPR060	600	500	120
80	100	516CADPR080	600	500	120
100	120	516CADPR100	600	500	130
130	150	516CADPR130	600	600	150
160	180	516CADPR160	800	800	170
180	200	516CADPR180	800	800	180
200	220	516CADPR200	800	800	210

Øi	Øe	COD.	A	B	H
60	80	RBFL304FPS3S08	600	500	120
80	100	RBFL304FPS3S10	600	500	120
100	120	RBFL304FPS3S12	600	500	130
130	150	RBFL304FPS3S15	800	800	150
160	180	RBFL304FPS3S18	800	800	170
180	200	RBFL304FPS3S20	800	800	180
200	220	RBFL304FPS3S22	1000	800	210

Øi	Øe	COD.	H
60	80	522VDPR060	100
80	100	522VDPR080	100
100	120	522VDPR100	100
130	150	522VDPR130	100
160	180	522VDPR160	100
180	200	522VDPR180	100
200	220	522VDPR200	100

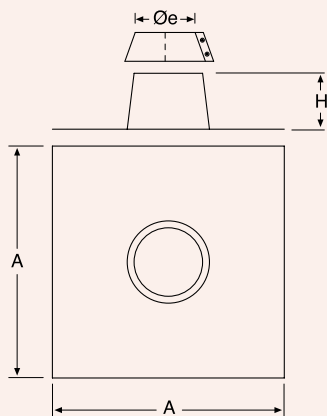
Serie 500

RBFL316FPPSSF...

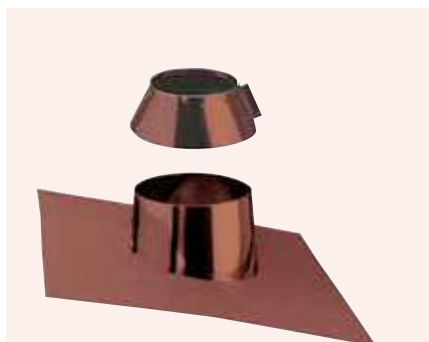


Faldale piano con fascetta anti intemperie.

Flat flashing with storm collar.

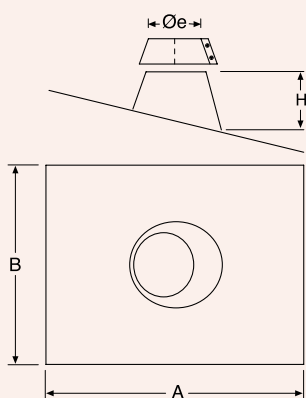


RBFL316FPS5SF...



Faldale regolabile da 5° a 30° con base in piombo e fascetta anti intemperie.

Adjustable flashing from 5° to 30° with lead base and storm collar.

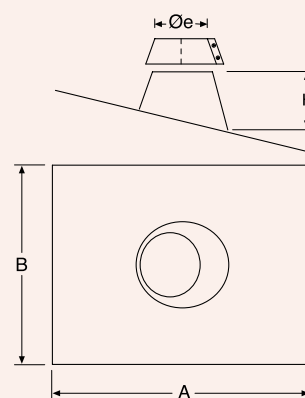


RBFL316FPS3SF...



Faldale regolabile da 30° a 45° con base in piombo e fascetta anti intemperie.

Adjustable flashing from 30° to 45° with lead base and storm collar.



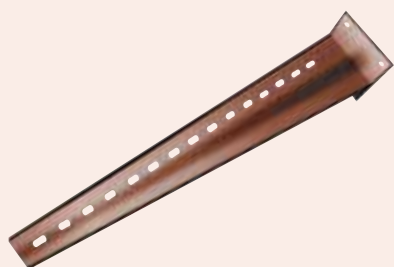
Øi	Øe	COD.	A	H
60	80	RBFL316FPPSSF08	400	120
80	100	RBFL316FPPSSF10	400	120
100	120	RBFL316FPPSSF12	400	130
130	150	RBFL316FPPSSF15	500	150
160	180	RBFL316FPPSSF18	500	170
180	200	RBFL316FPPSSF20	600	180
200	220	RBFL316FPPSSF22	600	210

Øi	Øe	COD.	A	B	H
60	80	RBFL316FPS5SF08	600	500	120
80	100	RBFL316FPS5SF10	600	500	120
100	120	RBFL316FPS5SF12	600	500	130
130	150	RBFL316FPS5SF15	600	600	150
160	180	RBFL316FPS5SF18	800	800	170
180	200	RBFL316FPS5SF20	800	800	180
200	220	RBFL316FPS5SF22	800	800	210

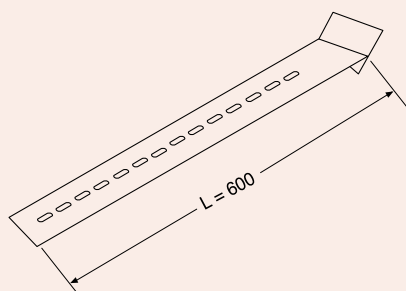
Øi	Øe	COD.	A	B	H
60	80	RBFL316FPS3SF08	600	500	120
80	100	RBFL316FPS3SF10	600	500	120
100	120	RBFL316FPS3SF12	600	500	130
130	150	RBFL316FPS3SF15	800	800	150
160	180	RBFL316FPS3SF18	800	800	170
180	200	RBFL316FPS3SF20	800	800	180
200	220	RBFL316FPS3SF22	1000	800	210



RDISTREG



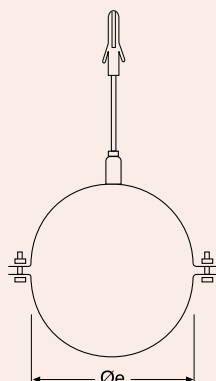
Distanziale per collare a muro
L = 600 mm.
*Adjustable distance piece for wall
bracket L = 600 mm.*



RL316CCT...



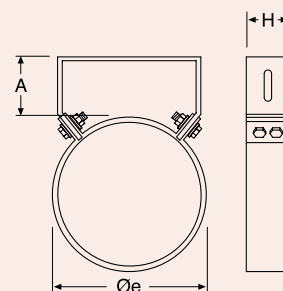
Collare a muro con tassello.
Wall bracket with anchor bolt.



512BMDPR...



Collare a muro regolabile da 50 a
100 mm.
*Wall bracket adjustable from 50 to
100 mm.*



COD.	L
RDISTREG	600

Øi	Øe	COD.
60	80	RL316CCT08
80	100	RL316CCT10
100	120	RL316CCT12
130	150	RL316CCT15
160	180	RL316CCT18
180	200	RL316CCT20
200	220	RL316CCT22

Øi	Øe	COD.	A	H
60	80	#	#	#
80	100	512BMDPR080	50-100	40
100	120	512BMDPR100	50-100	40
130	150	512BMDPR130	50-100	40
160	180	512BMDPR160	50-100	40
180	200	512BMDPR180	50-100	40
200	220	512BMDPR200	50-100	40

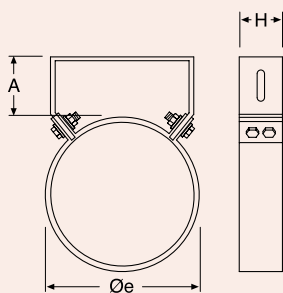
Serie 500

RL316COLSS...



Collare a muro.

Wall bracket.

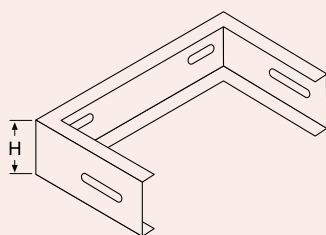


RL316DIS...



Distanziale per collare a muro.

Extension for wall bracket single wall.

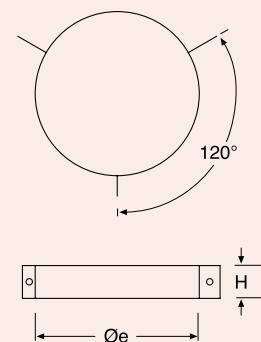


RL316FCPSS...



Collare per cavi tiranti.

Guy wire bracket.



Øi	Øe	COD.	A	H
60	80	RL316COLSS080	50	40
80	100	RL316COLSS100	50	40
100	120	RL316COLSS120	50	40
130	150	RL316COLSS150	50	40
160	180	RL316COLSS180	50	40
180	200	RL316COLSS200	50	40
200	220	RL316COLSS220	50	40

Øi	Øe	COD.	H
60	80	RL316DIS08	40
80	100	RL316DIS10	40
100	120	RL316DIS12	40
130	150	RL316DIS15	40
160	180	RL316DIS18	40
180	200	RL316DIS20	40
200	220	RL316DIS22	40

Øi	Øe	COD.	H
60	80	RL316FCPSS08	40
80	100	RL316FCPSS10	40
100	120	RL316FCPSS12	40
130	150	RL316FCPSS15	40
160	180	RL316FCPSS18	40
180	200	RL316FCPSS20	40
200	220	RL316FCPSS22	40

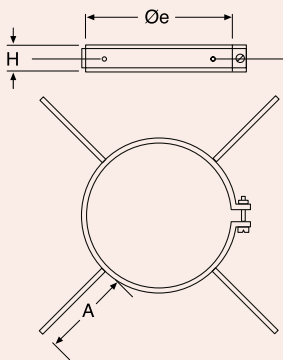


RL316CD...



Collare distanziatore per intubamenti.

Spacing bracket.

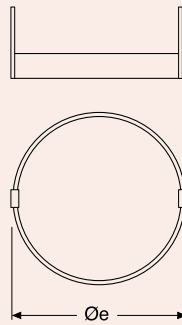


RL316CR...



Collare per ritubazione.

Bracket for re-piping.



LUBGN



Lubrificante per guarnizione.

Lubricant for seal.

$\varnothing i$	$\varnothing e$	COD.	A	H
60	80	RL316CD08	300	40
80	100	RL316CD10	300	40
100	120	RL316CD12	300	40
130	150	RL316CD15	300	40
160	180	RL316CD18	300	40
180	200	RL316CD20	300	40
200	220	RL316CD22	300	40

$\varnothing i$	$\varnothing e$	COD.
60	80	RL316CR08
80	100	RL316CR10
100	120	RL316CR12
130	150	RL316CR15
160	180	RL316CR18
180	200	RL316CR20
200	220	RL316CR22

COD.
LUBGN

