



**TERMOCOM**

S i s t e m i s c a r i c o f u m i



**MONOPARETE  
SINGLE WALL**

**Serie 300FAST**

# Serie 300FAST

## Sistema monoparete inox Single wall inox system



Il sistema **monoparete Serie 300FAST** è composto da elementi componibili rigidi con finitura lucida BA, realizzati in acciaio inox austenitico AISI 316L BA (1.4404) di spessore minimo 0,4 mm conformi agli standard previsti dalla marcatura CE secondo la normativa EN 1856-1 ed EN 1856-2. Gli elementi modulari hanno innesto classico a bicchiere maschio-femmina calibrato con guarnizione di tenuta a triplice labbro, conforme alla normativa europea EN 14241-1, e giunzione meccanica con fascetta di sicurezza.

### Riferimento normativo e designazione

Marcatura prodotto secondo normativa europea CE 0476 EN 1856-1 / EN 1856-2.  
T200 P1 W V2 L50040\* O 30 con guarnizione  
T600 N1 W V2 L50040 G  
T600 N1 W V2 L50040 G 500M  
T200 H1 W V2 L50040 O30 con guarnizione speciale a richiesta

\* La designazione può variare in funzione della qualità e dello spessore della materia prima come indica la tabella di seguito:

V2 AISI 316L		Vm AISI 304		INOX
EN 1856-1/2	TERMOCOM	EN 1856-1-2	TERMOCOM	
L50040	300FAST04	L20040	E300FAST04	0,4 mm
L50050	300FAST05	L20050	E300FAST05	0,5 mm
L50060	300FAST06	L20060	E300FAST06	0,6 mm
L50080	300FAST08	L20080	E300FAST08	0,8 mm
L50100	300FAST10	L20100	E300FAST10	1,0 mm

### Utilizzo

Condotti, canali da fumo, camini metallici asserviti a generatori di calore di tipo atmosferico, pressurizzato, ad aria soffiata, tradizionali o a condensazione, cappe cucina per uso industriale o domestico, stufe a legna, caminetti, stufe a pellet.

### Applicazione

Installazione interna.

### Diametri disponibili - mm

**300FAST04** spessore 0,4 mm

50 - 60 - 80 - 100 - 120 - 125 - 130 - 140 - 150 - 160 - 180 - 200 - **GUARNIZIONE A CORREDO.**

**300FAST05** spessore 0,5 mm

220 - 250 - 300 - 350 - 400 -

**450 - 500 A RICHIESTA.**

Disponibile **fino al diametro 800 A RICHIESTA**

**SI SCONSIGLIA** l'installazione di camini / canne fumarie in acciaio inossidabile in locali chiusi dove nell'atmosfera si concentra una forte quantità di vapori alogeni come lavanderie, tintorie, tipografie, saloni di acconciature, cosmesi e simili. Se ciò avvenisse, decadrebbe ogni tipo di responsabilità e garanzia.

*Single wall Serie 300FAST system is composed by modular elements with BA surface finish, made of austenitic stainless steel AISI 316L BA (1.4404) minimum thickness of 0.4 mm, according to the standards set out by the European CE mark, EN 1856-1 and EN 1856-2. The modular elements have classic calibrate male-female junction, with triple seal lip gasket, conforming to European standard EN 14241-1, and mechanical connection with locking clamp.*

### Normative references and designation

Product marking according to the European standard CE 0476 EN 1856-1 / EN 1856-2.  
T200 P1 W V2 L50040\* O 30 with seal  
T600 N1 W V2 L50040 G  
T600 N1 W V2 L50040 G 500M  
T200 H1 W V2 L50040 O30 with special seal on request

\* The designation may vary according to the quality and thickness of the raw material, as indicated in the table below:

V2 AISI 316L		Vm AISI 304		INOX
EN 1856-1/2	TERMOCOM	EN 1856-1-2	TERMOCOM	
L50040	300FAST04	L20040	E300FAST04	0.4 mm
L50050	300FAST05	L20050	E300FAST05	0.5 mm
L50060	300FAST06	L20060	E300FAST06	0.6 mm
L50080	300FAST08	L20080	E300FAST08	0.8 mm
L50100	300FAST10	L20100	E300FAST10	1.0 mm

### Utilizations

Ducts, flue pipes, metal chimneys, air conduction subservient to atmospheric heat generators, pressurized, air blown, traditional or condensing, industrial or domestic kitchen hoods, wood stoves, fireplaces or pellet stoves.

### Application

Internal installation.

### Available diameters - mm

**300FAST04** thickness 0.4 mm

50 - 60 - 80 - 100 - 120 - 125 - 130 - 140 - 150 - 160 - 180 - 200 - **SEAL IS INCLUDED.**

**300FAST05** thickness 0.5 mm

220 - 250 - 300 - 350 - 400 -

**450 - 500 ON REQUEST.**

**Up to diameter 800 ON REQUEST**

**WE DO NOT RECOMMEND** the use of stainless steel chimneys systems where there is a presence of any halogens in the atmosphere. In installations where this may occur, such as the use of chimney in laundries, dry cleaners', printing premises, hairdressers, cosmetic salons and similar any responsibility and product guarantee's will be invalid.

# MONOPARETE - SINGLE WALL AISI 316L

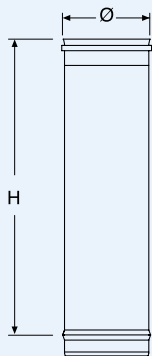


## F342TIG...



Elemento lineare da 2 m.

Pipe 2 m.

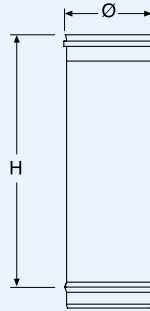


## F301TIG...



Elemento lineare da 1 m.

Pipe 1 m.

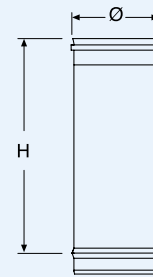


## F302TIG...



Elemento lineare da 0,50 m.

Pipe 0.50 m.



Ø	COD.	H	PCS	PCS PALLET
50	F342TIG050	1940	6	150
60	F342TIG060	1940	6	150
80	F342TIG080	1940	6	96
100	F342TIG100	1940	6	60

Ø	COD.	H	PCS	PCS PALLET
50	F301TIG050	940	6	144
60	F301TIG060	940	6	144
80	F301TIG080	940	6	72
100	F301TIG100	940	6	54
110	F301TIG110	940	1	-
120	F301TIG120	940	6	36
125	F301TIG125	940	1	-
130	F301TIG130	940	6	24
140	F301TIG140	940	6	24
150	F301TIG150	940	6	24
160	F301TIG160	940	1	-
180	F301TIG180	940	1	-
200	F301TIG200	940	1	-
220	F301TIG220	940	1	-
250	F301TIG250	940	1	-
300	F301TIG300	940	1	-
350	F301TIG350	940	1	-
400	F301TIG400	940	1	-
450	F301TIG450	940	1	-
500	F301TIG500	940	1	-

Ø	COD.	H	PCS
50	F302TIG050	440	6
60	F302TIG060	440	6
80	F302TIG080	440	6
100	F302TIG100	440	1
110	F302TIG110	440	6
120	F302TIG120	440	1
125	F302TIG125	440	6
130	F302TIG130	440	6
140	F302TIG140	440	6
150	F302TIG150	440	1
160	F302TIG160	440	1
180	F302TIG180	440	1
200	F302TIG200	440	1
220	F302TIG220	440	1
250	F302TIG250	440	1
300	F302TIG300	440	1
350	F302TIG350	440	1
400	F302TIG400	440	1
450	F302TIG450	440	1
500	F302TIG500	440	1

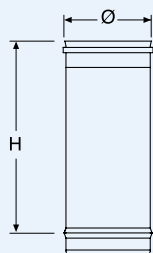
# Serie 300FAST

## F303TIG...



Elemento lineare da 0,25 m.

Pipe 0.25 m.

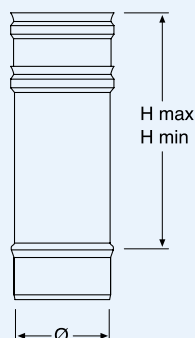


## F308TEXG...



Elemento telescopico.

Adjustable pipe.

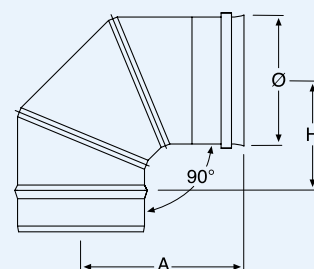


## F304CIG...



Curva a 90°.

Elbow 90°.



Ø	COD.	H	PCS
60	F303TIG060	190	6
80	F303TIG080	190	6
100	F303TIG100	190	6
110	F303TIG110	190	1
120	F303TIG120	190	6
125	F303TIG125	190	1
130	F303TIG130	190	6
140	F303TIG140	190	6
150	F303TIG150	190	6
160	F303TIG160	190	1
180	F303TIG180	190	1
200	F303TIG200	190	1
220	F303TIG220	190	1
250	F303TIG250	190	1
300	F303TIG300	190	1
350	F303TIG350	190	1
400	F303TIG400	190	1
450	F303TIG450	190	1
500	F303TIG500	190	1

Ø	COD.	H min	H max	PCS
60	#	#	#	#
80	F308TEXG080	250	350	1
100	F308TEXG100	250	350	1
110	F308TEXG110	250	350	1
120	F308TEXG120	250	350	1
125	F308TEXG125	250	350	1
130	F308TEXG130	250	350	1
140	F308TEXG140	250	350	1
150	F308TEXG150	250	350	1
160	F308TEXG160	250	350	1
180	F308TEXG180	250	350	1
200	F308TEXG200	250	350	1
220	F308TEXG220	250	350	1
250	F308TEXG250	250	350	1
300	F308TEXG300	250	350	1
350	F308TEXG350	250	350	1
400	F308TEXG400	250	350	1
450	F308TEXG450	250	350	1
500	F308TEXG500	250	350	1

Ø	COD.	A	H	PCS
60	F304CIG060	133	79	6
80	F304CIG080	130	80	6
100	F304CIG100	145	95	6
110	F304CIG110	150	100	1
120	F304CIG120	153	103	6
125	F304CIG125	154	103	1
130	F304CIG130	155	105	6
140	F304CIG140	160	110	6
150	F304CIG150	163	113	6
160	F304CIG160	175	125	1
180	F304CIG180	180	130	1
200	F304CIG200	190	140	1
220	F304CIG220	200	150	1
250	F304CIG250	215	165	1
300	F304CIG300	240	190	1
350	F304CIG350	265	215	1
400	F304CIG400	305	251	1
450	F304CIG450	330	276	1
500	F304CIG500	355	301	1



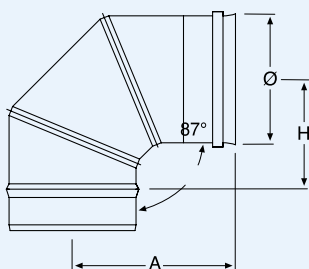
## F304CIGCOND...



Curva a 87°.

Elbow 87°.

**Condensing**

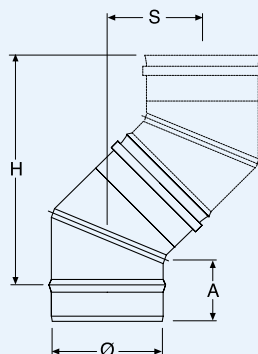


## F307CIG...



Curva a 45°.

Elbow 45°.



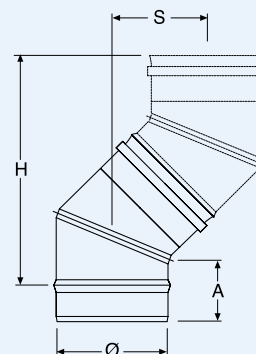
## F307CIGCOND...



Curva a 42°.

Elbow 42°.

**Condensing**



Ø	COD.	A	H	PCS
50	F304CIGCON050	133	79	6
60	F304CIGCON060	133	79	6
80	F304CIGCON080	130	80	6
100	F304CIGCON100	145	95	6

Ø	COD.	A	H	S	PCS
50	#	#	#	#	#
60	F307CIG060	65	133	77	6
80	F307CIG080	65	202	83	6
100	F307CIG100	65	216	89	6
110	F307CIG110	65	223	92	1
120	F307CIG120	65	230	95	6
125	F307CIG125	65	235	96	1
130	F307CIG130	65	240	98	6
140	F307CIG140	65	244	101	6
150	F307CIG150	65	251	104	6
160	F307CIG160	65	258	107	1
180	F307CIG180	65	272	113	1
200	F307CIG200	65	286	119	1
220	F307CIG220	65	301	124	1
250	F307CIG250	65	322	133	1
300	F307CIG300	65	357	148	1
350	F307CIG350	65	389	161	1
400	F307CIG400	65	425	176	1
450	F307CIG450	65	460	190	1
500	F307CIG500	65	495	220	1

Ø	COD.	A	H	S	PCS
50	#	#	#	#	#
60	F307CIGCOND060	65	196	90	1
80	F307CIGCOND080	65	202	83	1
100	F307CIGCOND100	65	216	89	1

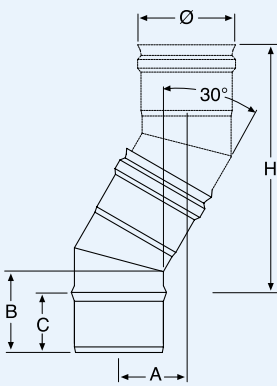
# Serie 300FAST

## F323CIG...



Curva a 30°.

Elbow 30°.

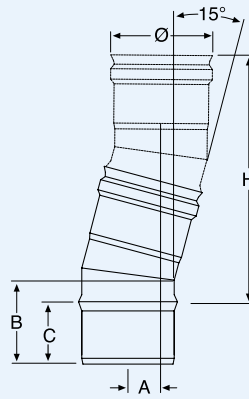


## F322CIG...



Curva a 15°.

Elbow 15°.

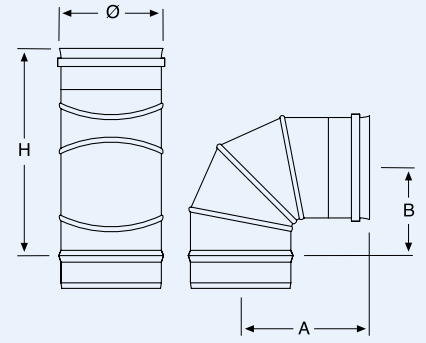


## F306CIG...



Curva girevole da 0° a 90°.

Adjustable elbow from 0° to 90°.



Ø	COD.	A	B	C	H	PCS
60	#	#	#	#	#	#
80	F323CIG080	60	75	54	223	1
100	F323CIG100	62	75	54	233	1
110	F323CIG110	65	75	54	238	1
120	F323CIG120	65	75	54	243	1
125	F323CIG125	65	75	54	245	1
130	F323CIG130	67	75	54	248	1
140	F323CIG140	68	75	54	253	1
150	F323CIG150	69	75	54	258	1
160	F323CIG160	70	75	54	263	1
180	F323CIG180	73	75	54	273	1
200	F323CIG200	76	75	54	283	1
220	F323CIG220	78	75	54	293	1
250	F323CIG250	82	75	54	308	1
300	F323CIG300	89	75	54	333	1

Ø	COD.	A	B	C	H	PCS
60	#	#	#	#	#	#
80	F322CIG080	28	75	54	214	1
100	F322CIG100	29	75	54	219	1
110	F322CIG110	29	75	54	221	1
120	F322CIG120	29	75	54	221	1
125	F322CIG125	30	75	54	224	1
130	F322CIG130	30	75	54	227	1
140	F322CIG140	30	75	54	229	1
150	F322CIG150	31	75	54	231	1
160	F322CIG160	31	75	54	234	1
180	F322CIG180	32	75	54	240	1
200	F322CIG200	32	75	54	244	1
220	F322CIG220	33	75	54	250	1
250	F322CIG250	34	75	54	258	1
300	F322CIG300	36	75	54	271	1

Ø	COD.	A	B	H	PCS
60	#	#	#	#	#
80	F306CIG080	165	115	200	1
100	F306CIG100	170	120	230	1
110	F306CIG110	175	125	250	1
120	F306CIG120	180	130	250	1
125	F306CIG125	180	130	250	1
130	F306CIG130	185	135	260	1
140	F306CIG140	190	140	260	1
150	F306CIG150	195	145	260	1
160	F306CIG160	200	150	285	1
180	F306CIG180	205	155	310	1
200	F306CIG200	210	160	315	1
220	F306CIG220	265	210	380	1
250	F306CIG250	300	255	465	1
300	F306CIG300	340	270	500	1

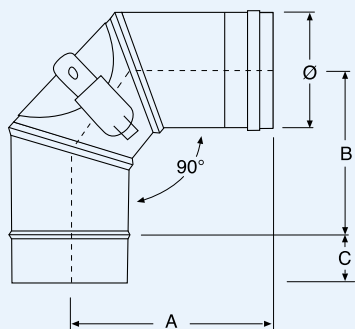


## F344CISG...



Curva a 90° a tre settori con ispezione.

*Elbow 90° with three sectors and inspection door.*

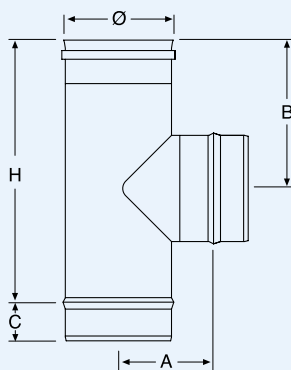


## F315TMMG...



Raccordo a "T" 90°.

90° tee.



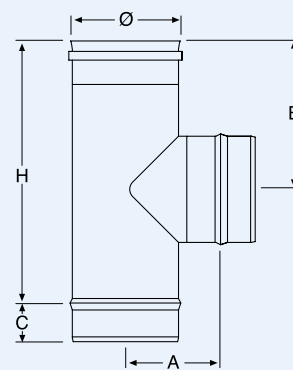
## F315TMMGCOND...



Raccordo a "T" 93°.

93° tee.

**Condensing**



Ø	COD.	A	B	C	PCS
60	#	#	#	#	#
80	F344CISG080	130	80	54	1
100	F344CISG100	145	95	54	1
110	F344CISG110	150	100	54	1
120	F344CISG120	150	100	54	1
125	F344CISG125	155	105	54	1
130	F344CISG130	155	105	54	1
140	F344CISG140	155	105	54	1
150	F344CISG150	160	110	54	1
160	F344CISG160	175	125	54	1
180	F344CISG180	180	130	54	1
200	F344CISG200	185	135	54	1
220	F344CISG220	220	170	54	1
250	F344CISG250	250	180	54	1
300	F344CISG300	300	200	54	1

Ø	COD.	A	B	C	H	PCS
60	F315TMMG060	56	119	54	190	6
80	F315TMMG080	86	119	54	190	6
100	F315TMMG100	96	119	54	190	6
110	F315TMMG110	105	162	54	270	1
120	F315TMMG120	110	162	54	270	6
125	F315TMMG125	112	162	54	270	1
130	F315TMMG130	115	162	54	270	6
140	F315TMMG140	120	162	54	270	6
150	F315TMMG150	125	162	54	270	6
160	F315TMMG160	130	162	54	270	1
180	F315TMMG180	140	247	54	440	1
200	F315TMMG200	150	247	54	440	1
220	F315TMMG220	160	247	54	440	1
250	F315TMMG250	175	247	54	440	1
300	F315TMMG300	200	247	54	440	1
350	F315TMMG350	221	318	54	588	1
400	F315TMMG400	240	307	54	540	1
450	F315TMMG450	265	322	54	590	1
500	F315TMMG500	290	347	54	640	1

Ø	COD.	A	B	C	H	PCS
60	F315TMMGCOND060	56	119	54	190	6
80	F315TMMGCOND080	86	119	54	190	6
100	F315TMMGCOND100	96	119	54	190	6

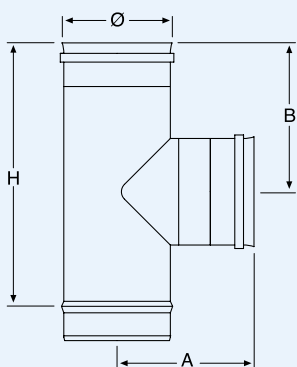
# Serie 300FAST

## F309TEG...



Raccordo a "T" 90° femmina.

90° tee female.

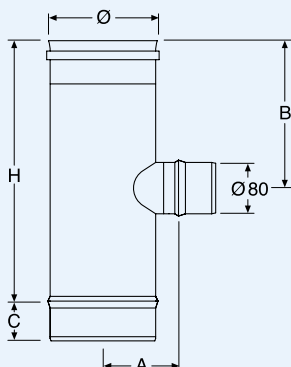


## F312T80G...



Raccordo a "T" 90° uscita ridotta a Ø 80 mm.

Tee 90° reduced Ø 80 mm.

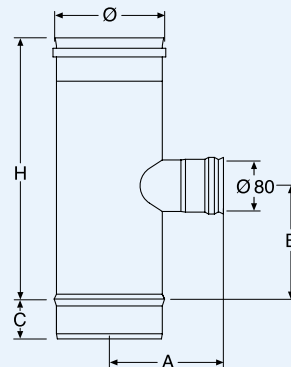


## F319TEG80...



Raccordo a "T" 90° uscita ridotta a Ø 80 mm femmina.

Tee 90° reduced Ø 80 mm female.



Ø	COD.	A	B	H	PCS
60	F309TEG060	79	119	190	1
80	F309TEG080	135	119	190	1
100	F309TEG100	145	119	190	1
110	F309TEG110	150	162	270	1
120	F309TEG120	155	162	270	1
125	F309TEG125	157	162	270	1
130	F309TEG130	160	162	270	1
140	F309TEG140	165	162	270	1
150	F309TEG150	170	162	270	1
160	F309TEG160	175	162	270	1
180	F309TEG180	185	247	440	1
200	F309TEG200	195	247	440	1
220	F309TEG220	205	247	440	1
250	F309TEG250	220	247	440	1
300	F309TEG300	245	247	440	1

Ø	COD.	A	B	C	H	PCS
60	#	#	#	#	#	#
80	#	#	#	#	#	#
100	F312T80G100	96	119	54	190	1
110	F312T80G110	101	119	54	190	1
120	F312T80G120	106	119	54	190	1
125	F312T80G125	108	119	54	190	1
130	F312T80G130	111	119	54	190	1
140	F312T80G140	116	119	54	190	1
150	F312T80G150	121	119	54	190	1
160	F312T80G160	126	119	54	190	1
180	F312T80G180	136	119	54	190	1
200	F312T80G200	146	119	54	190	1
220	F312T80G220	156	119	54	190	1
250	F312T80G250	171	119	54	190	1
300	F312T80G300	196	119	54	190	1

Ø	COD.	A	B	C	H	PCS
60	#	#	#	#	#	#
80	#	#	#	#	#	#
100	F319TEG80100	145	123	54	190	1
110	#	#	#	#	#	#
120	F319TEG80120	155	123	54	190	1
125	F319TEG80125	157	123	54	190	1
130	F319TEG80130	160	123	54	190	1
140	F319TEG80140	165	123	54	190	1
150	F319TEG80150	170	123	54	190	1
160	F319TEG80160	175	123	54	190	1
180	F319TEG80180	185	123	54	190	1
200	F319TEG80200	195	123	54	190	1
220	F319TEG80220	205	123	54	190	1
250	F319TEG80250	220	123	54	190	1
300	F319TEG80300	245	123	54	190	1



# MONOPARETE - SINGLE WALL AISI 316L

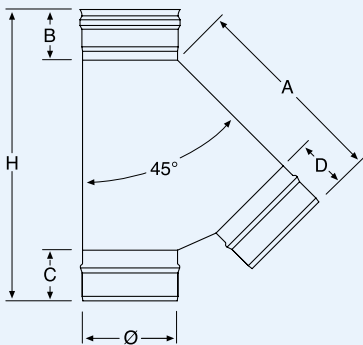


## F310TEG...



Raccordo a "T" 45°.

45° tee.

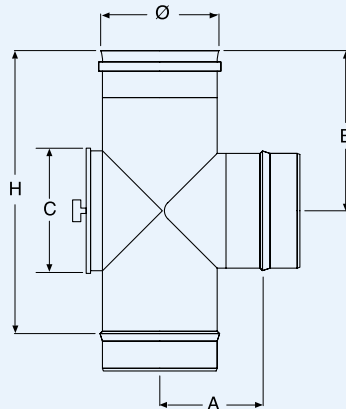


## F335TIC2...



Raccordo a "T" 90° con ispezione tonda contrapposta T 200°.

Tee 90° with round inspection on opposite side T 200°.

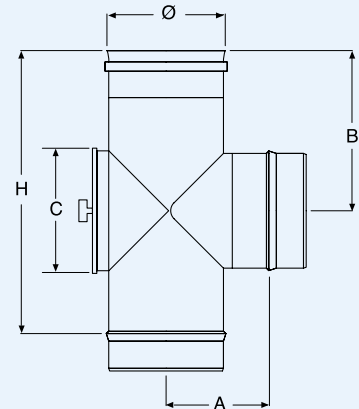


## F336TIC6...



Raccordo a "T" 90° con ispezione tonda contrapposta T 600°.

Tee 90° with round inspection on opposite side T 600°.



Ø	COD.	A	B	C	D	H	PCS
60	#	#	#	#	#	#	#
80	F310TEG080	195	80	80	80	309	1
100	F310TEG100	232	80	80	80	349	1
110	F310TEG110	140	80	80	80	323	1
120	F310TEG120	168	80	80	80	343	1
125	F310TEG125	176	80	80	80	353	1
130	F310TEG130	184	80	80	80	363	1
140	F310TEG140	198	80	80	80	386	1
150	F310TEG150	209	80	80	80	408	1
160	F310TEG160	220	80	80	80	428	1
180	F310TEG180	248	80	80	80	468	1
200	F310TEG200	272	80	80	80	510	1
220	F310TEG220	289	80	80	80	560	1
250	F310TEG250	343	80	80	80	618	1
300	F310TEG300	371	80	80	80	670	1
350	F310TEG350	416	80	80	80	738	1
400	F310TEG400	458	80	80	80	810	1
450	F310TEG450	500	80	80	80	880	1
500	F310TEG500	577	80	80	80	940	1

Ø	COD.	A	B	C	H	PCS
60	#	#	#	#	#	#
80	F335TIC2080	86	119	80	190	1
100	F335TIC2100	96	119	100	190	1
110	F335TIC2110	105	162	-	270	1
120	F335TIC2120	110	162	120	270	1
125	F335TIC2125	110	162	130	270	1
130	F335TIC2130	115	162	130	270	1
140	F335TIC2140	120	162	140	270	1
150	F335TIC2150	125	162	150	270	1
160	F335TIC2160	130	162	160	270	1
180	F335TIC2180	140	247	180	440	1
200	F335TIC2200	150	247	200	440	1
220	F335TIC2220	160	247	200	440	1
250	F335TIC2250	175	247	200	440	1
300	F335TIC2300	200	247	200	440	1

Ø	COD.	A	B	C	H	PCS
60	#	#	#	#	#	#
80	F336TIC6080	86	119	80	190	1
100	F336TIC6100	96	119	100	190	1
110	F336TIC6110	105	162	-	270	1
120	F336TIC6120	110	162	120	270	1
125	F336TIC6125	110	162	130	270	1
130	F336TIC6130	115	162	130	270	1
140	F336TIC6140	120	162	140	270	1
150	F336TIC6150	125	162	150	270	1
160	F336TIC6160	130	162	160	270	1
180	F336TIC6180	140	247	180	440	1
200	F336TIC6200	150	247	200	440	1
220	F336TIC6220	160	247	200	440	1
250	F336TIC6250	175	247	200	440	1
300	F336TIC6300	200	247	200	440	1

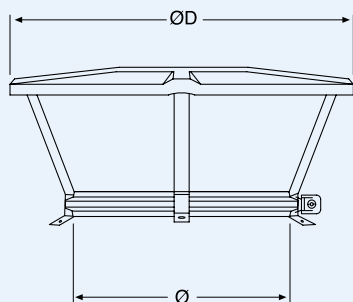
# Serie 300FAST

## F332CCMONO...

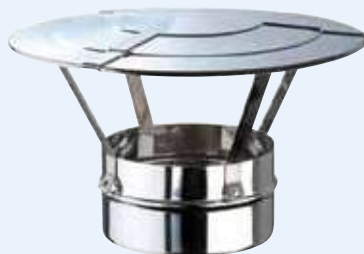


Cappello cinese con fascetta di bloccaggio.

*Rain cap with locking band.*

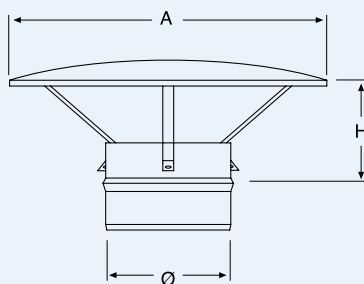


## F311BIG...



Cappello cinese.

*Rain cap.*

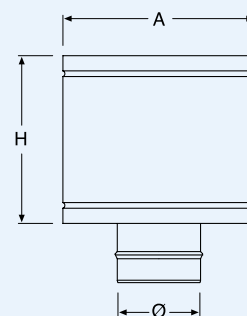


## F313BAG...



Terminale anti intemperie.

*Anti draught terminal.*



Ø	COD.	ØD	PCS
60	#	#	#
80	F332CCMONO080	200	1
100	F332CCMONO100	200	1
110	F332CCMONO110	250	1
120	F332CCMONO120	250	1
125	F332CCMONO125	250	1
130	F332CCMONO130	250	1
140	F332CCMONO140	300	1
150	F332CCMONO150	300	1
160	F332CCMONO160	300	1
180	F332CCMONO180	400	1
200	F332CCMONO200	400	1
220	F332CCMONO220	400	1
250	F332CCMONO250	500	1
300	F332CCMONO300	500	1

Ø	COD.	A	H	PCS
60	F311BIG060	180	140	6
80	F311BIG080	180	130	6
100	F311BIG100	230	130	6
110	F311BIG110	230	150	1
120	F311BIG120	265	150	6
125	F311BIG125	265	150	1
130	F311BIG130	265	150	6
140	F311BIG140	265	170	6
150	F311BIG150	265	170	6
160	F311BIG160	265	170	1
180	F311BIG180	320	200	1
200	F311BIG200	320	200	1
220	F311BIG220	400	200	1
250	F311BIG250	400	270	1
300	F311BIG300	500	270	1
350	F311BIG350	720	240	1
400	F311BIG400	720	240	1
450	F311BIG450	850	270	1
500	F311BIG500	850	270	1

Ø	COD.	A	H	PCS
60	#	#	#	#
80	F313BAG080	185	165	1
100	F313BAG100	185	165	1
110	F313BAG110	222	165	1
120	F313BAG120	222	165	1
125	F313BAG125	260	200	1
130	F313BAG130	260	200	1
140	F313BAG140	260	200	1
150	F313BAG150	260	200	1
160	F313BAG160	303	200	1
180	F313BAG180	310	250	1
200	F313BAG200	370	250	1
220	F313BAG220	418	250	1
250	F313BAG250	468	310	1
300	F313BAG300	700	330	1
350	F313BAG350	700	330	1
400	F313BAG400	800	330	1
450	F313BAG450	900	330	1
500	F313BAG500	1000	360	1

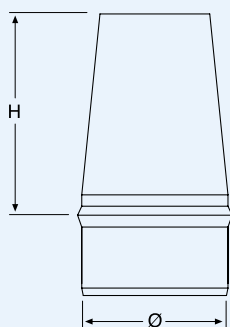


## F349TTC...



Terminale tronco conico.

*Venturi cone terminal.*

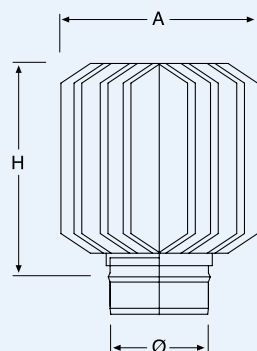


## F340KE...



Terminale eolico.

*Revolving terminal.*

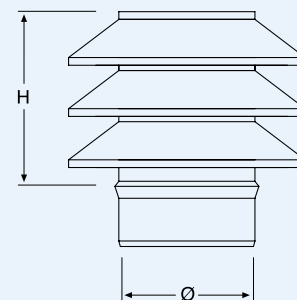


## F341TARSS...



Terminale architettonico.

*Architectural terminal.*



Ø	COD.	H	PCS
60	#	#	#
80	F349TTC080	146	1
100	F349TTC100	146	1
110	F349TTC110	146	1
120	F349TTC120	146	1
125	#	#	#
130	F349TTC130	146	1
140	F349TTC140	146	1
150	F349TTC150	146	1
160	F349TTC160	146	1
180	F349TTC180	146	1
200	F349TTC200	146	1
220	F349TTC220	146	1
250	F349TTC250	146	1
300	F349TTC300	146	1

Ø	COD.	A	H	PCS
60	#	#	#	#
80	F340KE080	220	226	1
100	F340KE100	220	226	1
110	F340KE110	220	226	1
120	F340KE120	220	226	1
125	#	#	#	#
130	F340KE130	220	226	1
140	F340KE140	240	226	1
150	F340KE150	240	226	1
160	F340KE160	240	226	1
180	F340KE180	260	266	1
200	F340KE200	270	266	1
220	F340KE220	330	296	1
250	F340KE250	340	296	1
300	F340KE300	390	356	1

Ø	COD.	H	PCS
60	#	#	#
80	F341TARSS080	140	1
100	F341TARSS100	140	1
110	F341TARSS110	140	1
120	F341TARSS120	140	1
125	F341TARSS125	140	1
130	F341TARSS130	140	1
140	F341TARSS140	140	1
150	F341TARSS150	140	1
160	F341TARSS160	140	1
180	F341TARSS180	140	1
200	F341TARSS200	240	1
220	F341TARSS220	240	1
250	F341TARSS250	240	1
300	F341TARSS300	240	1

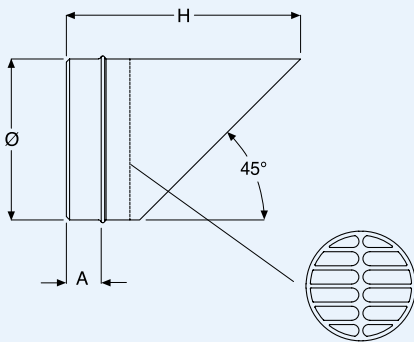
# Serie 300FAST

## F348TL...



Terminale a "45°" con griglia anti-volatile.

"45°" terminal with anti-volatile grid.

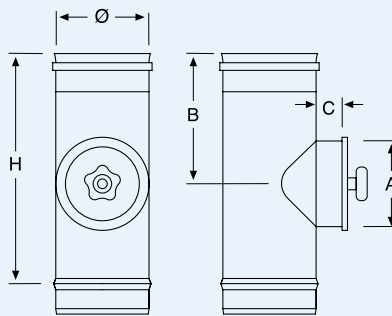


## F327TTISG...



Elemento con portello tondo per ispezione T 200°.

Element with round test point T 200°.

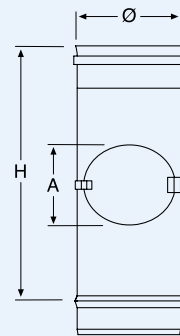


## F338TISA...



Elemento con ispezione aderente.

Inspection section.



Ø	COD.	A	H	PCS
60	#	#	#	#
80	F348TL080	54	200	1
100	F348TL100	54	200	1
110	F348TL110	54	-	1
120	F348TL120	54	220	1
125	#	#	#	#
130	F348TL130	54	200	1
140	F348TL140	54	200	1
150	F348TL150	54	200	1
160	F348TL160	54	250	1
180	F348TL180	54	250	1
200	F348TL200	54	250	1
220	F348TL220	54	300	1
250	F348TL250	54	350	1
300	F348TL300	54	400	1
350	F348TL350	54	450	1
400	F348TL400	54	500	1

Ø	COD.	A	B	C	H	PCS
60	F327TTISG060	60	120	30	190	1
80	F327TTISG080	80	120	30	190	1
100	F327TTISG100	100	120	30	190	1
110	F327TTISG110	120	160	30	270	1
120	F327TTISG120	120	160	30	270	1
125	F327TTISG125	130	160	30	270	1
130	F327TTISG130	130	160	30	270	1
140	F327TTISG140	140	160	30	270	1
150	F327TTISG150	150	160	30	270	1
160	F327TTISG160	160	160	30	270	1
180	F327TTISG180	180	245	30	440	1
200	F327TTISG200	200	245	30	440	1
220	F327TTISG220	200	245	30	440	1
250	F327TTISG250	200	245	30	440	1
300	F327TTISG300	200	245	30	440	1
350	F327TTISG350	200	245	30	440	1
400	F327TTISG400	200	245	30	440	1

Ø	COD.	A	H	PCS
60	#	#	#	#
80	F338TISA080	105	190	1
100	F338TISA100	125	270	1
110	F338TISA110	135	270	1
120	F338TISA120	145	270	1
125	F338TISA125	145	270	1
130	F338TISA130	155	270	1
140	F338TISA140	155	270	1
150	F338TISA150	155	270	1
160	F338TISA160	155	270	1
180	F338TISA180	155	270	1
200	F338TISA200	155	270	1
220	F338TISA220	155	270	1
250	F338TISA250	155	270	1
300	F338TISA300	155	270	1

# MONOPARETE - SINGLE WALL AISI 316L

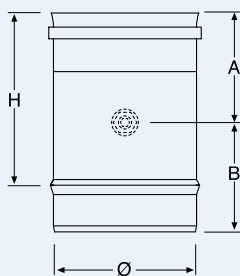


## F325TCFG...



Elemento per prelievo fumi.

*Fumes test section with threaded sleeve.*

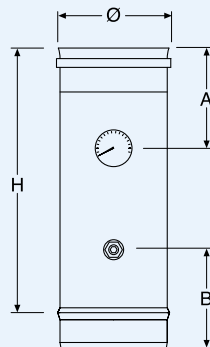


## F320TCG...



Elemento per prelievo fumi e temperatura.

*Element for smoke and temperature.*

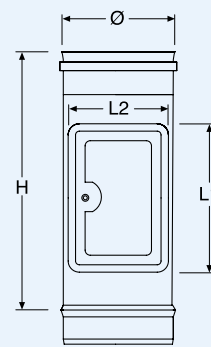


## F345TISG ...



Elemento per raccolta cenere con ispezione rettangolare.

*Ash collection element with rectangular door.*



Ø	COD.	A	B	H	PCS
60	#	#	#	#	#
80	F325TCFG080	120	123	190	1
100	F325TCFG100	120	123	190	1
110	F325TCFG110	120	123	190	1
120	F325TCFG120	120	123	190	1
125	F325TCFG125	120	123	190	1
130	F325TCFG130	120	123	190	1
140	F325TCFG140	120	123	190	1
150	F325TCFG150	120	123	190	1
160	F325TCFG160	120	123	190	1
180	F325TCFG180	120	123	190	1
200	F325TCFG200	120	123	190	1
220	F325TCFG220	120	123	190	1
250	F325TCFG250	120	123	190	1
300	F325TCFG300	120	123	190	1

Ø	COD.	A	B	H	PCS
60	#	#	#	#	#
80	F320TCG080	160	160	440	1
100	F320TCG100	160	160	440	1
110	F320TCG110	160	160	440	1
120	F320TCG120	160	160	440	1
125	F320TCG125	160	160	440	1
130	F320TCG130	160	160	440	1
140	F320TCG140	160	160	440	1
150	F320TCG150	160	160	440	1
160	F320TCG160	160	160	440	1
180	F320TCG180	160	160	440	1
200	F320TCG200	160	160	440	1
220	F320TCG220	160	160	440	1
250	F320TCG250	160	160	440	1
300	F320TCG300	160	160	440	1

Ø	COD.	L1	L2	H	PCS
60	#	#	#	#	#
80	F345TISG080	190	115	440	1
100	F345TISG100	190	115	440	1
110	F345TISG110	190	115	440	1
120	F345TISG120	190	115	440	1
125	F345TISG125	190	115	440	1
130	F345TISG130	190	115	440	1
140	F345TISG140	190	115	440	1
150	F345TISG150	190	115	440	1
160	F345TISG160	190	115	440	1
180	F345TISG180	190	115	440	1
200	F345TISG200	190	115	440	1
220	F345TISG220	280	185	440	1
250	F345TISG250	280	185	440	1
300	F345TISG300	280	185	440	1
350	F345TISG350	280	185	440	1
400	F345TISG400	280	185	440	1
450	F345TISG450	280	185	440	1
500	F345TISG500	280	185	440	1

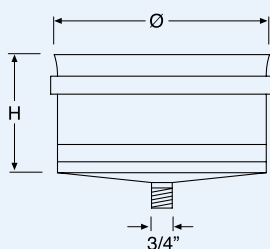
# Serie 300FAST

## F324PRG...



Scarico condensa.

*Tee cap with condense drain.*

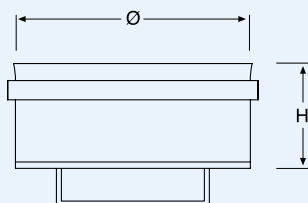


## F346TC...



Tappo cieco.

*Tee cap.*

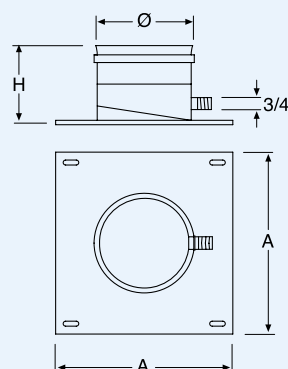


## F318PRGS...



Piastra di partenza con scarico laterale.

*Base plate with drain plug.*



Ø	COD.	H	PCS
60	F324PRG060	80	6
80	F324PRG080	80	6
100	F324PRG100	80	6
110	F324PRG110	80	1
120	F324PRG120	80	6
125	F324PRG125	80	1
130	F324PRG130	80	6
140	F324PRG140	80	6
150	F324PRG150	80	6
160	F324PRG160	80	1
180	F324PRG180	80	1
200	F324PRG200	80	1
220	F324PRG220	80	1
250	F324PRG250	80	1
300	F324PRG300	80	1
350	F324PRG350	80	1
400	F324PRG400	80	1
450	F324PRG450	80	1
500	F324PRG500	80	1

Ø	COD.	H	PCS
60	#	#	#
80	F346TC080	80	6
100	F346TC100	80	6
110	F346TC110	80	1
120	F346TC120	80	6
125	F346TC125	80	1
130	F346TC130	80	6
140	F346TC140	80	6
150	F346TC150	80	6
160	F346TC160	80	1
180	F346TC180	80	1
200	F346TC200	80	1
220	F346TC220	80	1
250	F346TC250	80	1
300	F346TC300	80	1
350	F346TC350	80	1
400	F346TC400	80	1
450	F346TC450	80	1
500	F346TC500	80	1

Ø	COD.	A	H	PCS
60	#	#	#	#
80	F318PRGS080	180	160	1
100	F318PRGS100	200	160	1
110	F318PRGS110	210	160	1
120	F318PRGS120	220	160	1
125	F318PRGS125	220	160	1
130	F318PRGS130	230	160	1
140	F318PRGS140	240	160	1
150	F318PRGS150	250	160	1
160	F318PRGS160	260	160	1
180	F318PRGS180	280	160	1
200	F318PRGS200	300	160	1
220	F318PRGS220	320	160	1
250	F318PRGS250	350	160	1
300	F318PRGS300	400	160	1
350	F318PRGS350	450	160	1
400	F318PRGS400	500	160	1
450	F318PRGS450	550	160	1
500	F318PRGS500	600	160	1

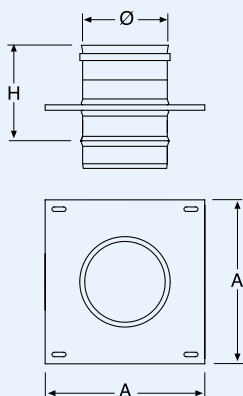


## F314SM...



Piastra intermedia.

*Intermediate anchor plate.*

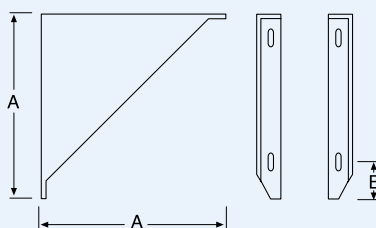


## F354CS...



Coppia di supporti per piastra.

*Cantilever brackets (pair).*

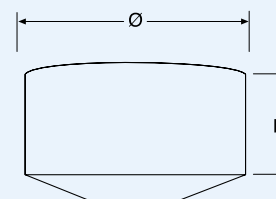


## F357TCL...



Tappo (depressione).

*Tee cap (negative pressure).*



Ø	COD.	A	H	PCS
60	#	#	#	#
80	F314SM080	180	190	1
100	F314SM100	200	190	1
110	F314SM110	210	190	1
120	F314SM120	220	190	1
125	F314SM125	220	190	1
130	F314SM130	230	190	1
140	F314SM140	240	190	1
150	F314SM150	250	190	1
160	F314SM160	260	190	1
180	F314SM180	280	190	1
200	F314SM200	300	190	1
220	F314SM220	320	190	1
250	F314SM250	350	190	1
300	F314SM300	400	190	1
350	F314SM350	450	190	1
400	F314SM400	500	190	1
450	F314SM450	550	190	1
500	F314SM500	600	190	1

Ø	COD.	A	B	PCS
60	#	#	#	#
80	F354CS080	180	32	6
100	F354CS100	200	32	6
110	F354CS110	210	32	1
120	F354CS120	220	32	6
125	F354CS125	230	32	1
130	F354CS130	230	32	6
140	F354CS140	240	32	6
150	F354CS150	250	32	6
160	F354CS160	260	32	1
180	F354CS180	280	32	1
200	F354CS200	300	32	1
220	F354CS220	320	32	1
250	F354CS250	350	32	1
300	F354CS300	400	32	1
350	F354CS350	450	32	1
400	F354CS400	500	32	1
450	F354CS450	550	32	1
500	F354CS500	600	32	1

Ø	COD.	H	PCS
60	#	#	#
80	F357TCL080	65	1
100	F357TCL100	65	1
110	F357TCL110	65	1
120	F357TCL120	65	1
125	F357TCL125	65	1
130	F357TCL130	65	1
140	F357TCL140	65	1
150	F357TCL150	65	1
160	F357TCL160	65	1
180	F357TCL180	65	1
200	F357TCL200	65	1
220	#	#	#
250	F357TCL250	65	1
300	F357TCL300	65	1

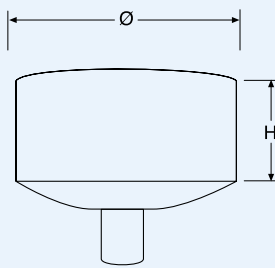
# Serie 300FAST

## F355SCL...



Scarico condensa (depressione).

*Tee cap with condense drain (negative pressure).*

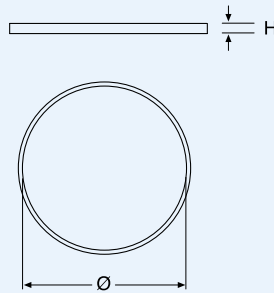


## F3000/RING...



Guarnizione di tenuta in silicone nero.

*Silicon black seal.*

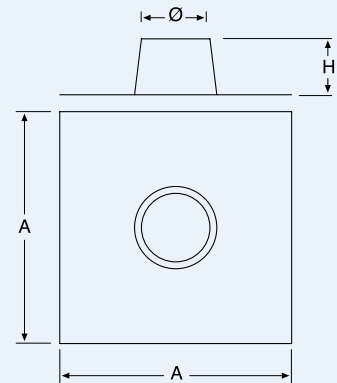


## 316CAP...



Faldale piano con base inox.

*Flat stainless steel flashing.*



Ø	COD.	H	PCS
60	#	#	#
80	F355SCL080	65	1
100	F355SCL100	65	1
110	F355SCL110	65	1
120	F355SCL120	65	1
125	F355SCL125	65	1
130	F355SCL130	65	1
140	F355SCL140	65	1
150	F355SCL150	65	1
160	F355SCL160	65	1
180	F355SCL180	65	1
200	F355SCL200	65	1
220	#	#	#
250	F355SCL250	65	1
300	F355SCL300	65	1

Ø	COD.	H	PCS
60	F3000/RING060	10	6
80	F3000/RING080	10	6
100	F3000/RING100	10	6
110	F3000/RING110	10	6
120	F3000/RING120	10	6
125	F3000/RING125	10	6
130	F3000/RING130	10	6
140	F3000/RING140	10	6
150	F3000/RING150	10	6
160	F3000/RING160	10	6
180	F3000/RING180	10	1
200	F3000/RING200	10	1
220	F3000/RING220	10	1
230	F3000/RING230	10	1
250	F3000/RING250	10	1
300	F3000/RING300	10	1
350	Ø 300 F3000/RING300	◆	10 1
400	Ø 350 F3000/RING350	◆	12 1
450	Ø 350 F3000/RING350	◆	12 1
500	Ø 450 F3000/RING450	◆	12 1

Ø	COD.	A	H	PCS
60	316CAP060	400	120	1
80	316CAP080	400	120	1
100	316CAP100	400	120	1
110	316CAP110	400	130	1
120	316CAP120	400	130	1
125	316CAP125	400	130	1
130	316CAP130	400	150	1
140	316CAP140	500	150	1
150	316CAP150	500	150	1
160	316CAP160	500	160	1
180	316CAP180	500	170	1
200	316CAP200	600	180	1
220	316CAP220	600	210	1
250	316CAP250	600	210	1
300	316CAP300	600	230	1
350	316CAP350	680	230	1
400	316CAP400	700	200	1
450	316CAP450	850	200	1
500	316CAP500	900	200	1

◆ Posizionata sul lato maschio del pezzo  
Positioned on the male side of the item

# Non disponibile  
Not available



# MONOPARETE - SINGLE WALL AISI 316L

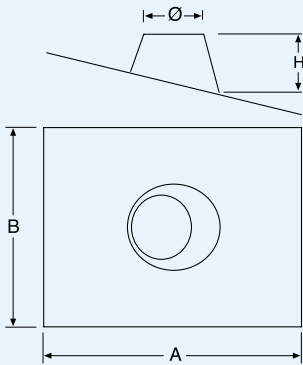


## 326CAGI...



Faldale regolabile da 5° a 30° con base inox.

*Adjustable stainless steel flashing from 5° to 30°.*

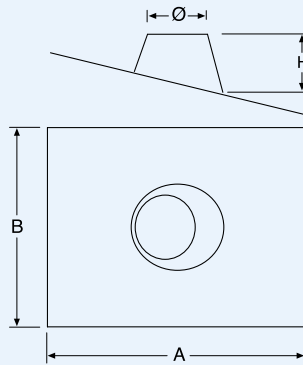


## 356CAGI45...



Faldale regolabile da 30° a 45° con base inox.

*Adjustable stainless steel flashing from 30° to 45°.*

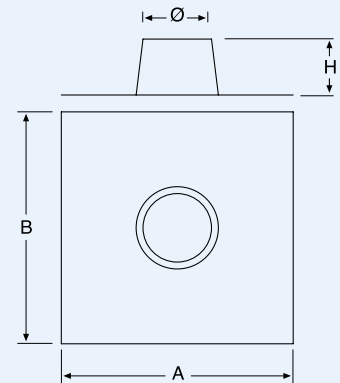


## 316CAPA...



Faldale piano con base in alluminio.

*Flat flashing with aluminum base.*



Ø	COD.	A	B	H	PCS
60	326CAGI060	400	400	120	1
80	326CAGI080	400	400	120	1
100	326CAGI100	400	400	120	1
110	326CAGI110	400	400	130	1
120	326CAGI120	400	400	130	1
125	326CAGI125	400	400	130	1
130	326CAGI130	400	400	150	1
140	326CAGI140	500	400	150	1
150	326CAGI150	500	500	150	1
160	326CAGI160	500	500	160	1
180	326CAGI180	500	500	170	1
200	326CAGI200	600	600	180	1
220	326CAGI220	600	600	210	1
250	326CAGI250	600	600	210	1
300	326CAGI300	600	600	230	1
350	326CAGI350	680	680	200	1
400	326CAGI400	700	700	200	1
450	326CAGI450	850	850	200	1
500	326CAGI500	900	900	200	1

Ø	COD.	A	B	H	PCS
60	#	#	#	#	#
80	356CAGI45080	550	450	120	1
100	356CAGI45100	550	450	120	1
110	356CAGI45110	550	450	130	1
120	356CAGI45120	550	450	130	1
125	356CAGI45125	550	450	130	1
130	356CAGI45130	550	450	150	1
140	356CAGI45140	650	550	150	1
150	356CAGI45150	650	550	150	1
160	356CAGI45160	650	550	160	1
180	356CAGI45180	750	650	170	1
200	356CAGI45200	750	650	180	1
220	356CAGI45220	750	650	210	1
250	356CAGI45250	750	650	210	1
300	356CAGI45300	850	750	230	1
350	356CAGI45350	850	750	230	1
400	356CAGI45400	850	850	200	1
450	356CAGI45450	850	850	200	1
500	356CAGI45500	900	900	200	1

Ø	COD.	A	B	H	PCS
60	316CAPA060	450	550	120	1
80	316CAPA080	450	550	120	1
100	316CAPA100	450	550	120	1
110	316CAPA110	450	550	130	1
120	316CAPA120	550	650	130	1
125	316CAPA125	550	650	130	1
130	316CAPA130	550	650	150	1
140	316CAPA140	550	650	150	1
150	316CAPA150	550	650	150	1
160	316CAPA160	550	650	160	1
180	316CAPA180	650	750	170	1
200	316CAPA200	650	750	180	1
220	316CAPA220	650	750	210	1
250	316CAPA250	650	750	210	1
300	316CAPA300	750	850	230	1
350	316CAPA350	750	850	230	1
400	316CAPA400	1000	1000	200	1
450	316CAPA450	1000	1000	200	1
500	316CAPA500	1000	1100	200	1

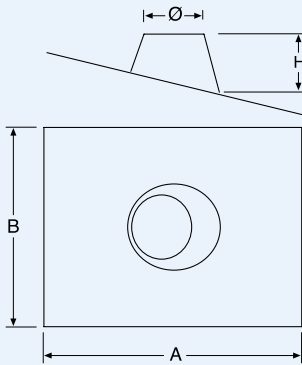
# Serie 300FAST

## 326CAGA...



Faldale regolabile da 5° a 30° con base in alluminio.

*Adjustable flashing from 5° to 30° with aluminum base.*

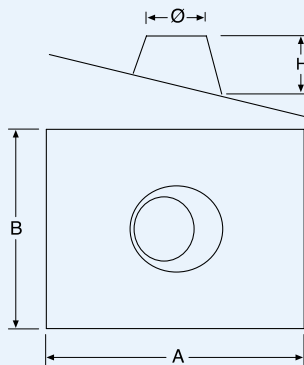


## 326CAG...



Faldale regolabile da 5° a 30° con base in piombo.

*Adjustable flashing from 5° to 30° with lead base.*

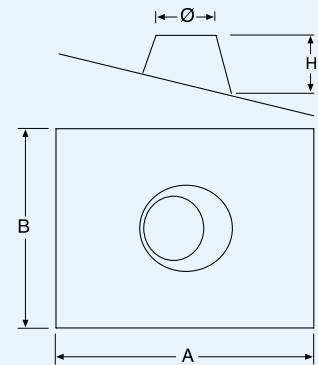


## 356CAG45...



Faldale regolabile da 30° a 45° con base in piombo.

*Adjustable flashing from 30° to 45° with lead base.*



Ø	COD.	A	B	H	PCS
60	326CAGA060	750	450	120	1
80	326CAGA080	750	450	120	1
100	326CAGA100	750	450	120	1
110	326CAGA110	750	450	130	1
120	326CAGA120	850	550	130	1
125	326CAGA125	850	550	130	1
130	326CAGA130	850	550	150	1
140	326CAGA140	850	550	150	1
150	326CAGA150	850	550	150	1
160	326CAGA160	850	550	160	1
180	326CAGA180	1000	650	170	1
200	326CAGA200	1000	650	180	1
220	326CAGA220	1000	650	210	1
250	326CAGA250	1000	650	210	1
300	326CAGA300	1000	750	230	1
350	326CAGA350	1000	750	200	1
400	326CAGA400	1000	1000	200	1
450	326CAGA450	1000	1000	200	1
500	326CAGA500	1000	1000	200	1

Ø	COD.	A	B	H	PCS
60	#	#	#	#	#
80	326CAG080	600	500	120	1
100	326CAG100	600	500	120	1
110	#	#	#	#	#
120	326CAG120	600	500	130	1
125	326CAG125	600	600	130	1
130	326CAG130	600	600	150	1
140	326CAG140	600	600	150	1
150	326CAG150	600	600	150	1
160	326CAG160	600	600	160	1
180	326CAG180	800	800	170	1
200	326CAG200	800	800	180	1
220	326CAG220	800	800	210	1
230	326CAG230	-	-	-	1
250	326CAG250	800	800	210	1
300	326CAG300	800	800	230	1
350	326CAG350	1000	800	230	1
400	326CAG400	1000	1000	200	1
450	326CAG450	1000	1000	200	1
500	326CAG500	1000	1000	200	1

Ø	COD.	A	B	H	PCS
60	#	#	#	#	#
80	356CAG45080	600	500	120	1
100	356CAG45100	600	500	120	1
110	#	#	#	#	#
120	356CAG45120	600	500	130	1
125	356CAG45125	800	800	130	1
130	356CAG45130	800	800	150	1
140	356CAG45140	800	800	150	1
150	356CAG45150	800	800	150	1
160	356CAG45160	800	800	160	1
180	356CAG45180	800	800	170	1
200	356CAG45200	800	800	180	1
220	356CAG45220	1000	800	210	1
250	356CAG45250	1000	800	210	1
300	356CAG45300	1000	800	230	1
350	356CAG45350	1000	1000	250	1

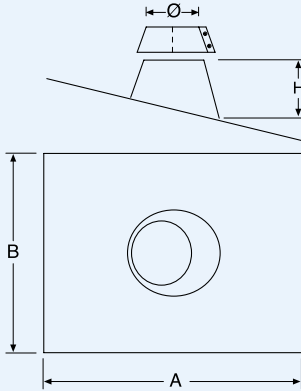


# Serie 300FAST

## 356COCAG45...



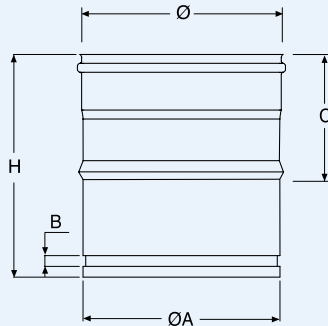
Faldale regolabile da 30° a 45° con base in piombo e fascetta anti intemperie.  
Adjustable flashing from 30° to 45° with lead base and storm collar.



## F339BM...



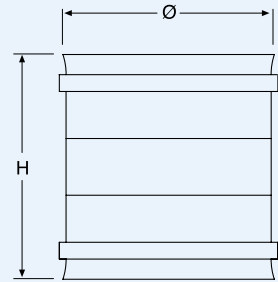
Bicchiere di montaggio.  
Assembly element.



## F317MUG...



Manicotto femmina - femmina.  
Double female adaptor.



Ø	COD.	A	B	H	PCS
60	#	#	#	#	#
80	356COCAG45080	600	500	120	1
100	356COCAG45100	600	500	120	1
120	356COCAG45120	800	800	130	1
125	356COCAG45125	800	800	150	1
130	356COCAG45130	800	800	150	1
140	356COCAG45140	800	800	150	1
150	356COCAG45150	800	800	160	1
160	356COCAG45160	800	800	170	1
180	356COCAG45180	800	800	180	1
200	356COCAG45200	1000	800	210	1
220	356COCAG45220	1000	800	210	1
250	356COCAG45250	1000	800	230	1
300	356COCAG45300	1000	1000	250	1

Ø	COD.	ØA	B	C	H	PCS
60	#	#	#	#	#	#
80	F339BM080	78	10	80	135	1
100	F339BM100	98	10	80	135	1
110	#	#	#	#	#	#
120	F339BM120	118	10	80	135	1
125	#	#	#	#	#	#
130	F339BM130	128	10	80	135	1
140	F339BM140	138	10	80	135	1
150	F339BM150	148	10	80	135	1
160	F339BM160	158	10	80	135	1
180	F339BM180	178	10	80	135	1
200	F339BM200	198	10	80	135	1
220	F339BM220	218	10	80	135	1
250	F339BM250	248	10	80	135	1
300	F339BM300	298	10	80	135	1

Ø	COD.	H	PCS
60	F317MUG060	133	1
80	F317MUG080	133	1
100	F317MUG100	133	1
110	F317MUG110	133	1
120	F317MUG120	133	1
125	F317MUG125	133	1
130	F317MUG130	133	1
140	F317MUG140	133	1
150	F317MUG150	133	1
160	F317MUG160	133	1
180	F317MUG180	133	1
200	F317MUG200	133	1
220	F317MUG220	133	1
250	F317MUG250	133	1
300	F317MUG300	133	1
350	F317MUG350	133	1
400	F317MUG400	133	1
450	F317MUG450	133	1
500	F317MUG500	133	1



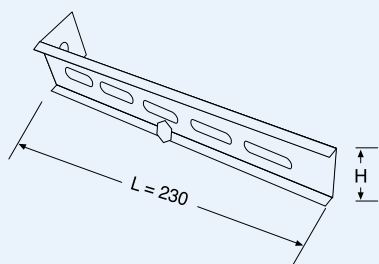
# Serie 300FAST

## 352DCMC



Distanziale universale per collare a muro (coppia) L = 230 mm.  
Compreso di bulloneria.

Universal distance piece for wall bracket (pair) L = 230 mm. Including bolts.

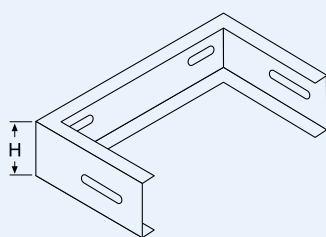


## 350DFM..



Distanziale per collare a muro.

Extension for wall bracket.

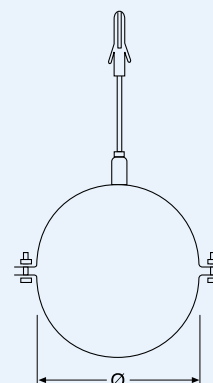


## 329AI...



Collare a muro con tassello.

Wall bracket with anchor bolt.



Ø	COD.	H	PCS
60	#	#	#
80	352DCMC	40	1
100	352DCMC	40	1
110	352DCMC	40	1
120	352DCMC	40	1
125	352DCMC	40	1
130	352DCMC	40	1
140	352DCMC	40	1
150	352DCMC	40	1
160	352DCMC	40	1
180	352DCMC	40	1
200	352DCMC	40	1
220	352DCMC	40	1
250	352DCMC	40	1
300	352DCMC	40	1
350	352DCMC	40	1
400	352DCMCH100	100	1
450	352DCMCH100	100	1
500	352DCMCH100	100	1

Ø	COD.	H	PCS
60	#	#	#
80	350DFM080	40	1
100	350DFM100	40	1
110	350DFM110	40	1
120	350DFM120	40	1
125	350DFM125	40	1
130	350DFM130	40	1
140	350DFM140	40	1
150	350DFM150	40	1
160	350DFM160	40	1
180	350DFM180	40	1
200	350DFM200	40	1
220	350DFM220	40	1
250	350DFM250	40	1
300	350DFM300	40	1
350	350DFM350	40	1
400	350DFM400	100	1
450	350DFM450	100	1
500	350DFM500	100	1

Ø	COD.	PCS
60	329AI060	1
80	329AI080	1
100	329AI100	1
110	329AI110	1
120	329AI120	1
125	329AI125	1
130	329AI130	1
140	329AI140	1
150	329AI150	1
160	329AI160	1
180	329AI180	1
200	329AI200	1
220	329AI220	1
250	329AI250	1
300	329AI300	1

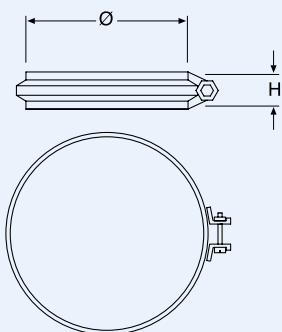


## F305BRI...



Fascetta di sicurezza.

Locking band.

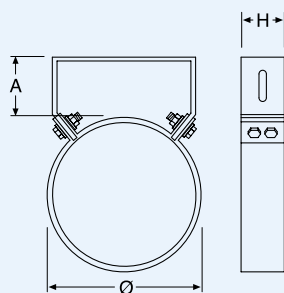


## 360COLLSS...



Collare a muro.

Wall bracket.

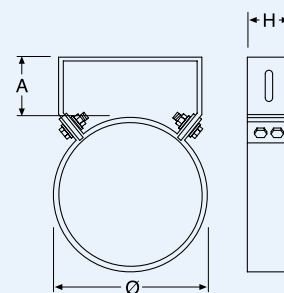


## 330BMG...



Collare a muro regolabile da 50 a 100 mm.

Wall bracket adjustable from 50 to 100 mm.



Ø	COD.	H	PCS
60	F305BRI060	20	6
80	F305BRI080	20	6
100	F305BRI100	20	6
110	F305BRI110	20	6
120	F305BRI120	20	6
125	F305BRI125	20	1
130	F305BRI130	20	6
140	F305BRI140	20	6
150	F305BRI150	20	6
160	F305BRI160	20	1
180	F305BRI180	20	1
200	F305BRI200	20	1
220	F305BRI220	20	1
250	F305BRI250	20	1
300	F305BRI300	20	1
350	F305BRI350	20	1
400	F305BRI400	20	1
450	F305BRI450	20	1
500	F305BRI500	20	1

Ø	COD.	A	H	PCS
60	#	#	#	#
80	360COLLSS080	50	40	6
100	360COLLSS100	50	40	6
110	360COLLSS110	50	40	6
120	360COLLSS120	50	40	6
125	360COLLSS125	50	40	1
130	360COLLSS130	50	40	6
140	360COLLSS140	50	40	6
150	360COLLSS150	50	40	6
160	360COLLSS160	50	40	6
180	360COLLSS180	50	40	1
200	360COLLSS200	50	40	1
220	360COLLSS220	50	40	1
250	360COLLSS250	50	40	1
300	360COLLSS300	50	40	1
350	360COLLSS350	50	40	1
400	360COLLSS400	50	100	1
450	360COLLSS450	50	100	1
500	360COLLSS500	50	100	1

Ø	COD.	A	H	PCS
60	#	#	#	#
80	330BMG080	50-100	40	6
100	330BMG100	50-100	40	6
110	330BMG110	50-100	40	6
120	330BMG120	50-100	40	6
125	330BMG125	50-100	40	1
130	330BMG130	50-100	40	6
140	330BMG140	50-100	40	6
150	330BMG150	50-100	40	6
160	330BMG160	50-100	40	6
180	330BMG180	50-100	40	1
200	330BMG200	50-100	40	1
220	330BMG220	50-100	40	1
250	330BMG250	50-100	40	1
300	330BMG300	50-100	40	1
350	330BMG350	50-100	40	1
400	330BMG400	50-100	40	1
450	330BMG450	50-100	40	1
500	330BMG500	50-100	40	1

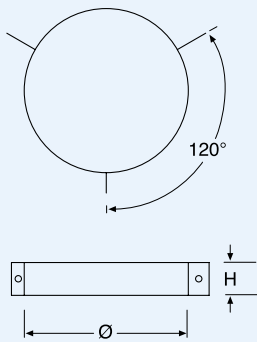
# Serie 300FAST

## 343BV...

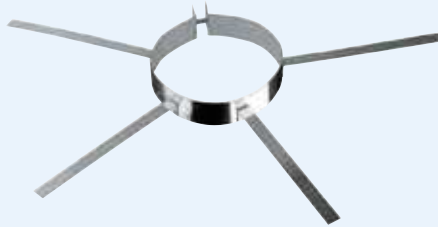


Collare per cavi tiranti.

*Guy wire bracket.*

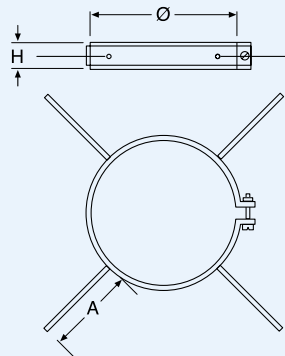


## 347CD...



Collare distanziatore per intubamenti.

*Spacing bracket.*

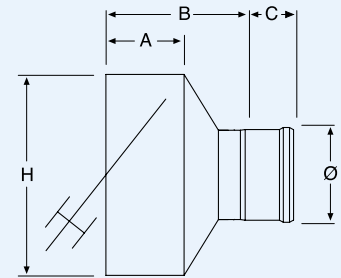


## 337REGT...



Raccordo con regolatore di tiraggio.

*Stabilizer section.*



Ø	COD.	H	PCS
60	#	#	#
80	343BV080	30	1
100	343BV100	30	1
110	343BV110	30	1
120	343BV120	30	1
125	343BV125	30	1
130	343BV130	30	1
140	343BV140	30	1
150	343BV150	30	1
160	343BV160	30	1
180	343BV180	30	1
200	343BV200	30	1
220	343BV220	30	1
250	343BV250	30	1
300	343BV300	30	1
350	343BV350	30	1
400	343BV400	30	1
450	343BV450	30	1
500	343BV500	30	1

Ø	COD.	A	H	PCS
60	347CD060	300	40	1
80	347CD080	300	40	1
100	347CD100	300	40	1
110	347CD110	300	40	1
120	347CD120	300	40	1
125	347CD125	300	40	1
130	347CD130	300	40	1
140	347CD140	300	40	1
150	347CD150	300	40	1
160	347CD160	300	40	1
180	347CD180	300	40	1
200	347CD200	300	40	1
220	347CD220	300	40	1
250	347CD250	300	40	1
300	347CD300	300	40	1
350	347CD350	300	40	1
400	347CD400	300	40	1
450	347CD450	300	40	1
500	347CD500	300	40	1

Ø	COD.	A	B	C	H	PCS
60	#	#	#	#	#	#
80	337REGT080	100	129	54	180	1
100	337REGT100	100	129	54	180	1
110	337REGT110	33	87	54	180	1
120	337REGT120	33	87	54	180	1
125	337REGT125	33	87	54	180	1
130	337REGT130	33	94	54	180	1
140	337REGT140	33	94	54	180	1
150	337REGT150	33	94	54	180	1
160	337REGT160	33	94	54	180	1
180	337REGT180	33	94	54	180	1
200	337REGT200	33	94	54	180	1
220	337REGT220	33	94	54	180	1
250	337REGT250	33	94	54	180	1
300	337REGT300	33	159	54	180	1



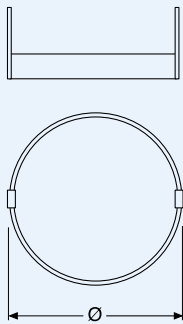


## 358CR...



Collare per ritubazione.

*Bracket for re-piping.*

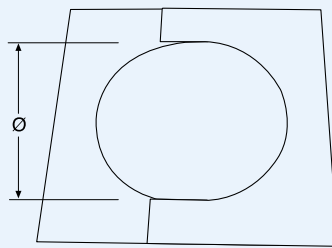


## 359POVALE...



Piastra di finitura ovale.

*Adjustable firestop.*

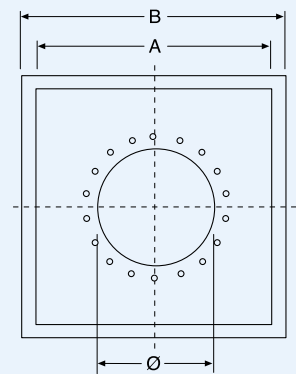


## 360PTFS...



Piastra tagliafuoco superiore.

*Higher fire stop spacer.*



Ø	COD.	PCS
60	#	#
80	358CR080	1
100	358CR100	1
110	358CR110	1
120	358CR120	1
125	358CR125	1
130	358CR130	1
140	358CR140	1
150	358CR150	1
160	358CR160	1
180	358CR180	1
200	358CR200	1
220	358CR220	1
250	358CR250	1
300	358CR300	1
350	358CR350	1
400	358CR400	1
450	358CR450	1
500	358CR500	1

Ø	COD.	PCS
60	#	#
80	359POVALE080	1
100	359POVALE100	1
110	359POVALE110	1
120	359POVALE120	1
125	359POVALE125	1
130	359POVALE130	1
140	359POVALE140	1
150	359POVALE150	1
160	359POVALE160	1
180	359POVALE180	1
200	359POVALE200	1
220	359POVALE220	1
250	359POVALE250	1
300	359POVALE300	1

Ø	COD.	A	B	PCS
60	#	#	#	#
80	360PTFS080	381	431	1
100	360PTFS100	381	431	1
110	#	#	#	#
120	360PTFS120	401	451	1
125	360PTFS125	401	451	1
130	360PTFS130	401	451	1
140	360PTFS140	409	459	1
150	360PTFS150	423	473	1
160	360PTFS160	450	500	1
180	360PTFS180	450	500	1
200	360PTFS200	470	520	1
220	360PTFS220	490	540	1
250	360PTFS250	520	570	1
300	360PTFS300	570	620	1

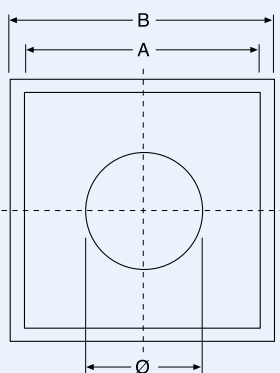
# Serie 300FAST

## 361PTFI...

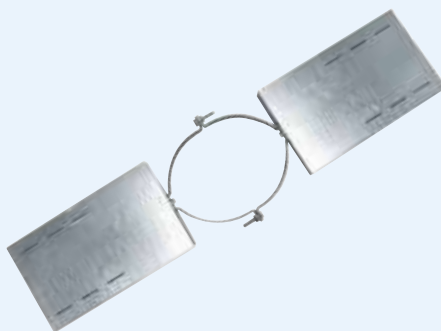


Piastra tagliafuoco inferiore.

Lower fire stop spacer.

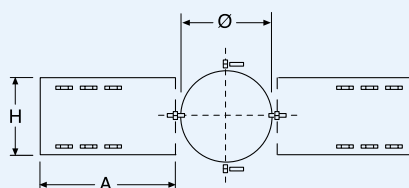


## 362ST...



Supporto a tetto.

Roof support.

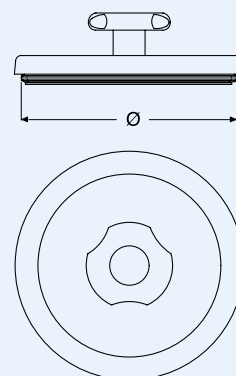


## 321TAPING...



Tappo di ispezione in acciaio inox (T 200°).

Round cap stainless steel (T 200°).



Ø	COD.	A	B	PCS
60	#	#	#	#
80	361PTFI060	381	431	1
100	361PTFI080	381	431	1
110	#	#	#	#
120	361PTFI120	401	451	1
125	361PTFI125	401	451	1
130	361PTFI130	401	451	1
140	361PTFI140	409	459	1
150	361PTFI150	423	473	1
160	361PTFI160	450	500	1
180	361PTFI180	450	500	1
200	361PTFI200	470	520	1
220	361PTFI220	490	540	1
250	361PTFI250	520	570	1
300	361PTFI300	570	620	1

Ø	COD.	A	H	PCS
60	#	#	#	#
80	362ST080	300	180	1
100	362ST100	300	180	1
110	362ST110	300	180	1
120	362ST120	300	180	1
125	362ST125	300	180	1
130	362ST130	300	180	1
140	362ST140	300	180	1
150	362ST150	300	180	1
160	362ST160	300	180	1
180	362ST180	300	180	1
200	362ST200	300	180	1
220	362ST220	300	180	1
250	362ST250	300	180	1
300	362ST300	300	180	1
350	362ST350	300	180	1
400	362ST400	300	180	1
450	362ST450	300	180	1
500	362ST500	300	180	1

Ø	COD.	PCS
60	321TAPING060	1
80	321TAPING080	1
100	321TAPING100	1
110	#	#
120	321TAPING120	1
125	#	#
130	321TAPING130	1
140	321TAPING140	1
150	321TAPING150	1
160	321TAPING160	1
180	321TAPING180	1
200	321TAPING200	1

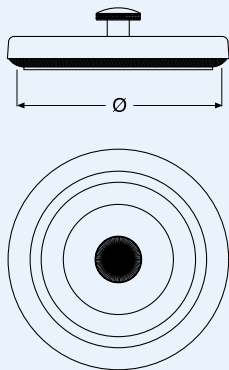


## 321TAPPOAT...



Tappo di ispezione in acciaio inox per alte temperature (T 600°).

*Round cap stainless steel for high temperatures (T 600°).*

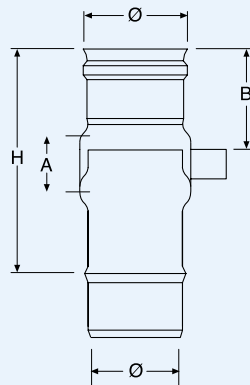


## F362SCARLVH...



Elemento con scarico laterale anticondensa per montaggio verticale.

*Element with lateral anti-condensation drain plug for vertical mounting.*

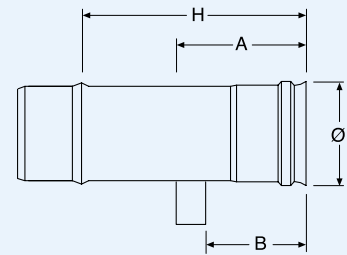


## F363SCARLH...



Elemento con scarico laterale anticondensa per montaggio orizzontale.

*Element with lateral anti-condensation drain plug for horizontal mounting.*



Ø	COD.	PCS
60	#	#
80	321TAPPOAT080	1
100	321TAPPOAT100	1
110	#	#
120	321TAPPOAT120	1
125	#	#
130	321TAPPOAT130	1
140	321TAPPOAT140	1
150	321TAPPOAT150	1
160	321TAPPOAT160	1
180	321TAPPOAT180	1
200	321TAPPOAT200	1

Ø	COD.	A	B	H	PCS
60	#	#	#	#	#
80	F362SCARLVH080	55	82	143	1
100	F362SCARLVH100	55	82	143	1
110	F362SCARLVH110	55	82	143	1
120	F362SCARLVH120	55	82	143	1
125	#	#	#	#	#
130	F362SCARLVH130	55	82	143	1
140	F362SCARLVH140	55	82	143	1
150	F362SCARLVH150	55	82	143	1
160	F362SCARLVH160	55	82	143	1
180	F362SCARLVH180	55	82	143	1
200	F362SCARLVH200	55	82	143	1

Ø	COD.	A	B	H	PCS
60	#	#	#	#	#
80	F363SCARLH080	110	83	148	1
100	F363SCARLH100	110	83	148	1
110	F363SCARLH110	110	83	148	1
120	F363SCARLH120	110	83	148	1
125	#	#	#	#	#
130	F363SCARLH130	110	83	148	1
140	F363SCARLH140	110	83	148	1
150	F363SCARLH150	110	83	148	1
160	F363SCARLH160	110	83	148	1
180	F363SCARLH180	110	83	148	1
200	F363SCARLH200	110	83	148	1

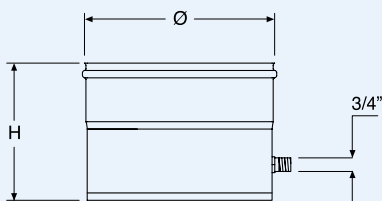
# Serie 300FAST

## F364PRO...



Raccordo con scarico condensa laterale per montaggio orizzontale.

Adaptor with lateral condense drain for horizontal mounting.

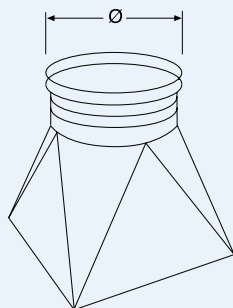


## F333RQT...

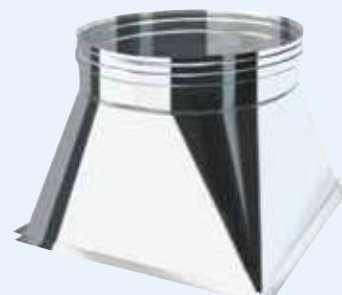


Riduzione quadro - tonda.

Square - round reducer.

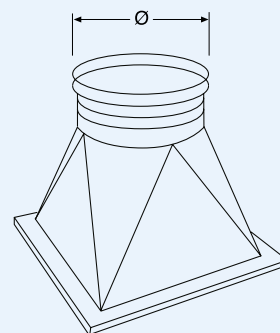


## F334TRAM...



Tramoggia.

Hopper.



Ø	COD.	H	PCS
60	#	#	#
80	F364PRO080	125	1
100	F364PRO100	125	1
110	#	#	#
120	F364PRO120	125	1
125	#	#	#
130	F364PRO130	125	1
140	F364PRO140	125	1
150	F364PRO150	125	1
160	F364PRO160	125	1
180	F364PRO180	125	1
200	F364PRO200	125	1
220	F364PRO220	125	1
250	F364PRO250	125	1
300	F364PRO300	125	1

Ø	COD.	PCS
60	F333RQT060	1
80	F333RQT080	1
100	F333RQT100	1
120	F333RQT120	1
125	F333RQT125	1
130	F333RQT130	1
140	F333RQT140	1
150	F333RQT150	1
160	F333RQT160	1
180	F333RQT180	1
200	F333RQT200	1
220	F333RQT220	1
250	F333RQT250	1
300	F333RQT300	1
350	F333RQT350	1
400	F333RQT400	1
450	F333RQT450	1
500	F333RQT500	1

Ø	COD.	PCS
60	F334TRAM060	1
80	F334TRAM080	1
100	F334TRAM100	1
120	F334TRAM120	1
125	F334TRAM125	1
130	F334TRAM130	1
140	F334TRAM140	1
150	F334TRAM150	1
160	F334TRAM160	1
180	F334TRAM180	1
200	F334TRAM200	1
220	F334TRAM220	1
250	F334TRAM250	1
300	F334TRAM300	1
350	F334TRAM350	1
400	F334TRAM400	1
450	F334TRAM450	1
500	F334TRAM500	1

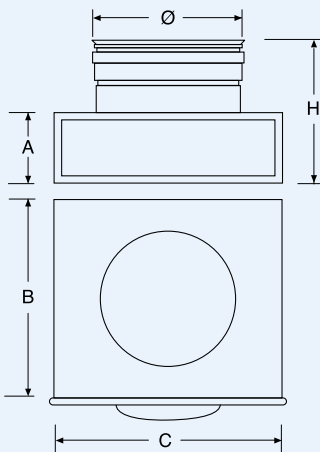


## F367CAS...



Cassetta per raccolta cenere.

*Box collecting ash.*

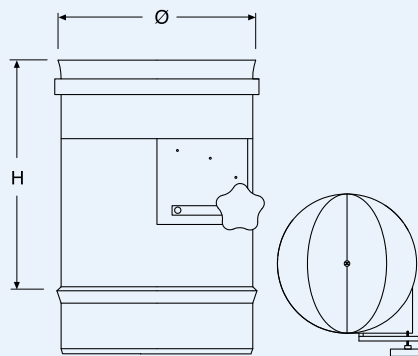


## F368FARFALLA...

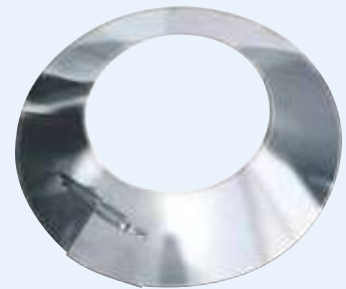


Elemento con saracinesca regolabile.

*Element with adjustable portcullis.*

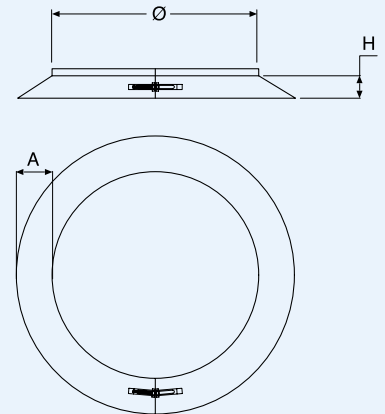


## 369RC...



Rosone conico.

*Conical ceiling hole cover.*



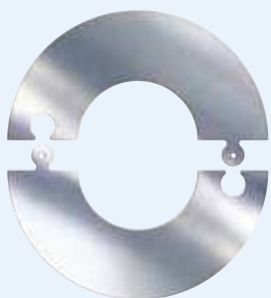
Ø	COD.	A	B	C	H	PCS
60	#	#	#	#	#	#
80	F367CAS080	115	145	165	180	1
100	F367CAS100	115	145	165	180	1
110	F367CAS110	-	-	-	-	1
120	F367CAS120	115	180	190	180	1
125	#	#	#	#	#	#
130	F367CAS130	115	180	190	180	1
140	F367CAS140	115	210	220	180	1
150	F367CAS150	115	210	220	180	1
160	F367CAS160	115	210	220	180	1
180	F367CAS180	115	230	240	180	1
200	F367CAS200	115	260	270	180	1
220	F367CAS220	-	-	-	-	1
250	F367CAS250	-	-	-	-	1

Ø	COD.	H	PCS
60	#	#	#
80	F368FARFALLA080	190	1
100	F368FARFALLA100	190	1
110	F368FARFALLA110	190	1
120	F368FARFALLA120	190	1
125	#	#	#
130	F368FARFALLA130	190	1
140	F368FARFALLA140	190	1
150	F368FARFALLA150	190	1
160	F368FARFALLA160	190	1
180	F368FARFALLA180	190	1
200	F368FARFALLA200	190	1
250	F368FARFALLA250	270	1
300	F368FARFALLA300	270	1

Ø	COD.	A	H	PCS
60	#	#	#	#
80	369RC080	70	20	1
100	369RC100	70	20	1
110	369RC110	70	20	1
120	369RC120	70	20	1
125	#	#	#	#
130	369RC130	70	20	1
140	369RC140	70	20	1
150	369RC150	70	20	1
160	369RC160	70	20	1
180	369RC180	70	20	1
200	369RC200	70	20	1
250	369RC250	70	30	1
300	369RC300	70	30	1

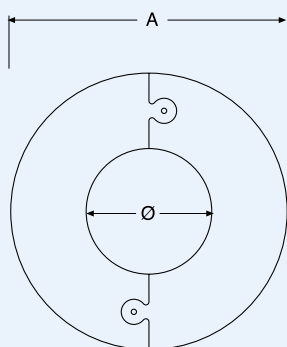
# Serie 300FAST

## 370RCOM...

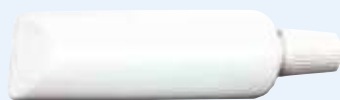


Rosone componibile.

*Modular ceiling hole cover.*



## LUBGN



Lubrificante per guarnizione.

*Lubricant for seal.*

Ø	COD.	A	PCS
60	#	#	#
80	370RCOM080	180	1
100	370RCOM100	200	1
110	370RCOM110	-	1
120	370RCOM120	220	1
125	#	#	#
130	370RCOM130	230	1
140	370RCOM140	240	1
150	370RCOM150	250	1
160	370RCOM160	260	1
180	370RCOM180	280	1
200	370RCOM200	300	1
250	370RCOM250	350	1
300	370RCOM300	400	1

COD.	PCS
LUBGN	1

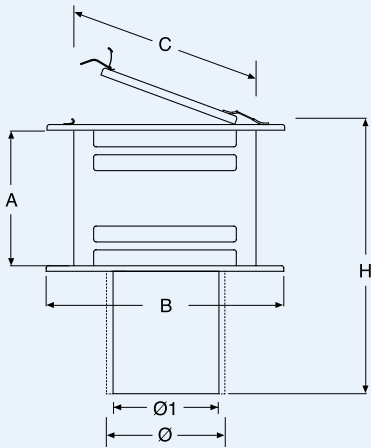


## 390TAI...



Terminale anti intemperie ispezionabile.

*Anti downdraught terminal with inspection door.*



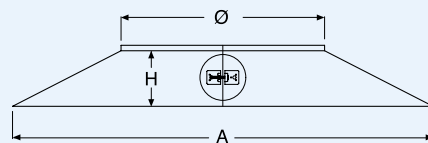
Ø	Ø1	COD.	A	B	C	H	PCS
130	128	390TAI130	170	300	180	390	1
150	148	390TAI150	170	300	180	390	1
180	178	390TAI180	170	330	210	390	1

## 391FAI...



Fascetta anti intemperie inclinata a 30°.

*Storm collar inclined at 30°.*



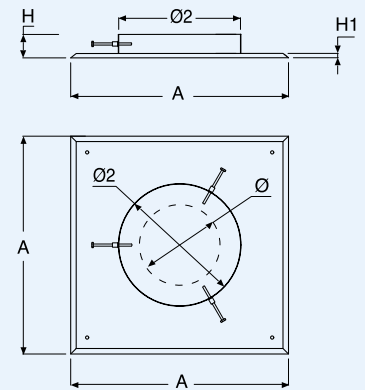
Ø	COD.	A	H	PCS
130	391FAI130	290	45	1
150	391FAI150	310	45	1
180	391FAI180	340	45	1

## 392PTT...

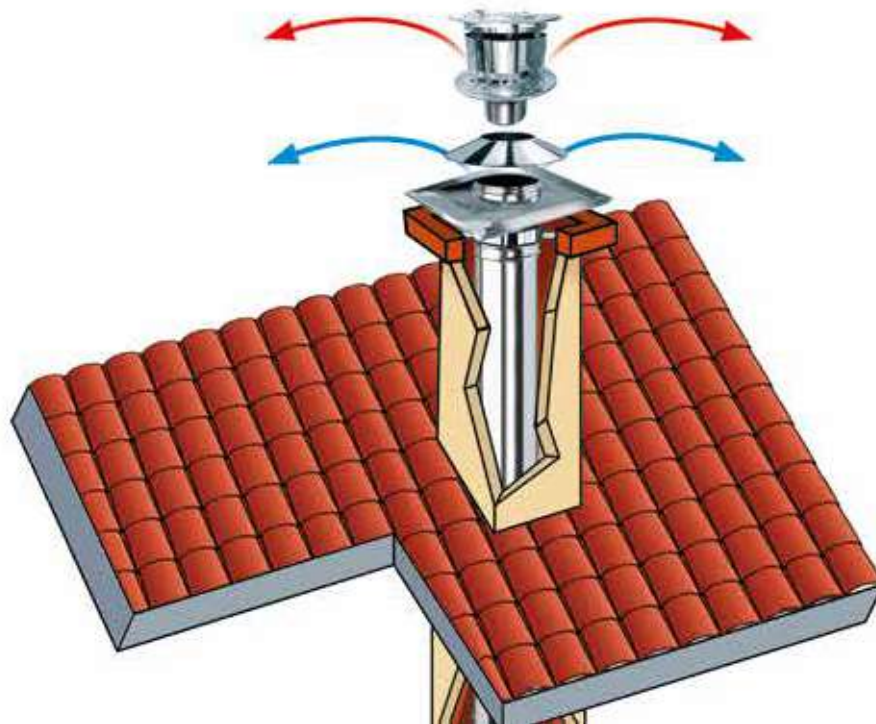


Piastra terminale di tenuta per rigido / flex con sistema di bloccaggio a bulloni.

*Top plate for rigid / flex with bolts locking system.*



Ø	Ø2	COD.	A	H	H1	PCS
130	230	392PTT130	400	43	8	1
150	230	392PTT150	400	43	8	1
180	250	392PTT180	450	43	8	1



# Serie 300FAST

## F331RICG..M..F



Aumento di diametro.

*Increaser.*



Riduzione di diametro.

*Reducer.*

### COMPOSIZIONE AUMENTI / RIDUZIONI INCREASER / REDUCER CONFIGURATION

CODICE: F331RICG..M..F ⓘ  
CODE:

### ISTRUZIONI PER L'UTILIZZO DELLA TABELLA

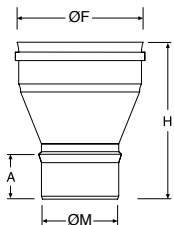
- 1 stabilire la riduzione / aumento necessaria/o (nell'esempio aumento da 150F a 160M);
- 2 cercare il prezzo della riduzione / aumento necessaria/o nella casella coincidente all'intersezione della riga-colonna (esempio in tabella)

### INSTRUCTIONS FOR USING THE TABLE

- 1 establish the necessary reduction / increase (in the example increase from 150F to 160M);
- 2 look for the price of the reduction / increase necessary in the box coinciding with the intersection of the row-column (example in the table)

Ø	050M	060M	080M	100M	120M	125M	130M	140M	150M	160M	180M	200M	250M	300M	350M	PCS
050F																1
060F																1
080F																1
100F																1
120F																1
125F																1
130F																1
140F																1
150F																1
160F																1
180F																1
200F																1
250F																1

ⓘ CODICE MODIFICATO / MODIFIED CODE Le tre cifre indicanti i diametri (es. F331RICG160M150F) diventano due cifre (es. F331RICG16M15F).  
The three digits indicating the diameters (ex. F331RICG160M150F) become two digits (ex. F331RICG16M15F).



ØM	80	80	80	80	80	100	100	120	120	120	130	130	130	130	140	140	140	140	150	150	150	160	160	180
ØF	100	120	130	140	150	120	130	130	140	150	150	160	180	200	150	160	180	200	160	180	200	180	200	200
A	54	54	54	54	54	54	54	54	54	54	54	54	54	54	54	54	54	54	54	54	54	54	54	54
H	175	175	175	175	175	150	150	155	155	155	150	150	150	150	150	150	150	150	150	150	150	180	180	155





## F331RICGE...



Aumento di diametro eccentrico.

*Eccentric increaser.*



Riduzione di diametro.

*Eccentric reducer.*

### COMPOSIZIONE AUMENTI / RIDUZIONI INCREASER / REDUCER CONFIGURATION

CODICE:  
CODE: **F331RICGE..M..F** ⓘ

### ISTRUZIONI PER L'UTILIZZO DELLA TABELLA

- 1 stabilire la riduzione / aumento necessaria/o (nell'esempio aumento da 150F a 160M);
- 2 cercare il prezzo della riduzione / aumento necessaria/o nella casella coincidente all'intersezione della riga-colonna (esempio in tabella)

### INSTRUCTIONS FOR USING THE TABLE

- 1 establish the necessary reduction / increase (in the example increase from 150F to 160M);
- 2 look for the price of the reduction / increase necessary in the box coinciding with the intersection of the row-column (example in the table)

Ø	060M	080M	100M	120M	125M	130M	140M	150M	160M	180M	200M	250M	300M	350M	PCS
060F															1
080F															1
100F															1
120F															1
125F															1
130F															1
140F															1
150F															1
160F															1
180F															1
200F															1
250F															1

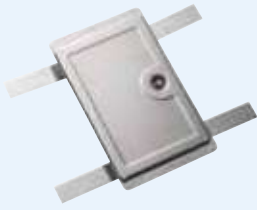
### ⓘ CODICE MODIFICATO / MODIFIED CODE

Le tre cifre indicanti i diametri (es. F331RICGECC160M150F) diventano due cifre e il codice si modifica così:  
es. F331RICGE16M15F.

The three digits indicating the diameters (ex. F331RICGECC160M150F) become two digits and the code changes like this:  
ex. F331RICGE16M15F.

# Serie 300FAST

## L316EXPIMP...



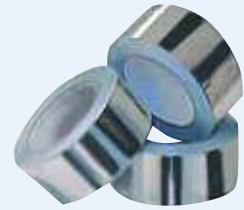
Portello murale per ispezione (110 x 185).  
*Wall door inspection (110 x 185).*

## L316EXPIMG...



Portello murale per ispezione (200 x 290).  
*Wall door inspection (200 x 290).*

## 316EXNS...



Nastro + Alu h 50 - lunghezza 50 m  
*Tape + Alu h 50 - length 50 m*

COD.	PCS
L316EXPIMP	1

COD.	PCS
L316EXPIMG	1

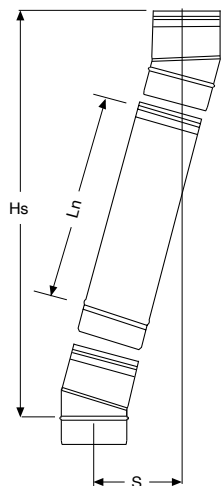
COD.	PCS
316EXNS	1



## DISASSAMENTO - CENTER OFFSET

### DISASSAMENTO CON DOPPIA CURVA 15° CENTER OFFSET WITH DOUBLE 15° ELBOW

# 15°



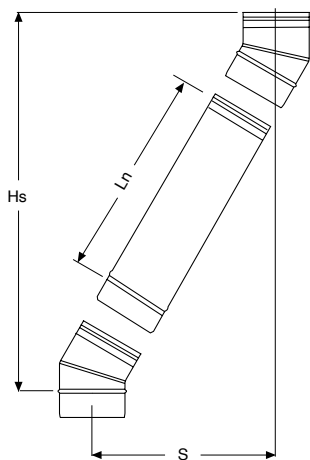
$$(Ln \times 0,25) + S_0 = S$$

$$(Ln \times 0,96) + H_0 = H_s$$

MONOPARETE SINGLE WALL Ø	0 m		0,25 m		0,33 m		0,50 m		1 m	
	S <sub>0</sub>	H <sub>0</sub>	S	H <sub>s</sub>	S	H <sub>s</sub>	S	H <sub>s</sub>	S	H <sub>s</sub>
80	28	214	76	396	96	473	138	636	263	1116
100	29	219	77	401	97	478	139	641	264	1121
110	29	221	77	403	97	480	139	643	264	1123
120	29	222	77	404	97	481	139	644	264	1124
130	30	227	78	409	98	486	140	649	265	1129
140	30	229	78	411	98	488	140	651	265	1131
150	30	232	78	414	98	491	140	654	265	1134
160	30	234	78	416	98	493	140	656	265	1136
180	32	240	80	422	100	499	142	662	267	1142
200	33	246	81	428	101	505	143	668	268	1148
220	34	250	82	432	102	509	144	672	269	1152
250	34	258	82	440	102	517	144	680	269	1160
300	35	271	83	453	103	530	145	693	270	1173
350	37	284	85	466	105	543	147	706	272	1186
400	39	297	87	479	107	556	149	719	274	1199
450	41	309	89	491	109	568	151	731	276	1211
500	42	322	90	504	110	581	152	744	277	1224
550	44	335	92	517	112	594	154	757	279	1237
600	46	348	94	530	114	607	156	770	281	1250

### DISASSAMENTO CON DOPPIA CURVA 30° CENTER OFFSET WITH DOUBLE 30° ELBOW

# 30°



$$(Ln \times 0,50) + S_0 = S$$

$$(Ln \times 0,86) + H_0 = H_s$$

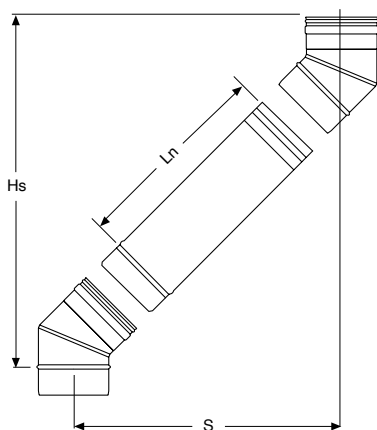
MONOPARETE SINGLE WALL Ø	0 m		0,25 m		0,33 m		0,50 m		1 m	
	S <sub>0</sub>	H <sub>0</sub>	S	H <sub>s</sub>	S	H <sub>s</sub>	S	H <sub>s</sub>	S	H <sub>s</sub>
80	60	223	155	386	195	455	280	601	530	1031
100	62	233	157	396	197	465	282	611	532	1041
110	64	238	159	401	199	470	284	616	534	1046
120	65	243	160	406	200	475	285	621	535	1051
130	67	248	162	411	202	480	287	626	537	1056
140	68	253	163	416	203	485	288	631	538	1061
150	69	258	164	421	204	490	289	636	539	1066
160	70	263	165	426	205	495	290	641	540	1071
180	73	273	168	436	208	505	293	651	543	1081
200	76	283	171	446	211	515	296	661	546	1091
220	78	293	173	456	213	525	298	671	548	1101
250	82	308	177	471	217	540	302	686	552	1116
300	89	333	184	496	224	565	309	711	559	1141
350	96	358	191	521	231	590	316	736	566	1166
400	103	383	198	546	238	615	323	761	573	1191
450	109	408	204	571	244	640	329	786	579	1216
500	116	433	211	596	251	665	336	811	586	1241
550	123	459	218	622	258	691	343	837	593	1267
600	129	483	224	646	264	715	349	861	599	1291

1 m Ln = 940 mm  
0,50 m Ln = 440 mm  
0,33 m Ln = 270 mm  
0,25 m Ln = 190 mm

# Serie 300FAST

DISASSAMENTO CON DOPPIA CURVA 45°  
CENTER OFFSET WITH DOUBLE 45° ELBOW

# 45°



$$(Ln \times 0,71) + S_0 = S$$

$$(Ln \times 0,71) + H_0 = H_s$$

MONOPARETE SINGLE WALL Ø	0 m		0,25 m		0,33 m		0,50 m		1 m	
	S <sub>0</sub>	H <sub>0</sub>	S	H <sub>s</sub>	S	H <sub>s</sub>	S	H <sub>s</sub>	S	H <sub>s</sub>
80	83	202	217	336	274	393	394	513	748	867
100	89	216	223	350	280	407	400	527	754	881
110	92	223	226	357	283	414	403	534	757	888
120	95	230	229	364	286	421	406	541	760	895
130	98	240	232	374	289	431	409	551	763	905
140	101	244	235	378	292	435	412	555	766	909
150	104	251	238	385	295	442	415	562	769	916
160	107	258	241	392	298	449	418	569	772	923
180	113	272	247	406	304	463	424	583	778	937
200	119	286	253	420	310	477	430	597	784	951
220	124	301	258	435	315	492	435	612	789	966
250	133	322	267	456	324	513	444	633	798	987
300	148	357	282	491	339	548	459	668	813	1022
350	161	389	295	523	352	580	472	700	826	1054
400	176	425	310	559	367	616	487	736	841	1090
450	190	460	324	594	381	651	501	771	855	1125
500	205	495	339	629	396	686	516	806	870	1160
550	220	531	354	665	411	722	531	842	885	1196
600	234	566	368	700	425	757	545	877	899	1231

1 m Ln = 940 mm  
0,50 m Ln = 440 mm  
0,33 m Ln = 270 mm  
0,25 m Ln = 190 mm