



TERMOCOM

S i s t e m i s c a r i c o f u m i



**DOPPIA PARETE
DOUBLE WALL**

Serie 100S25

Serie 100S25

Sistema doppia parete inox Double wall inox system



Il sistema **doppia parete Serie 100S25** è composto da elementi componibili rigidi con finitura lucida BA, realizzati con parete interna in acciaio inox AISI 316L di spessore minimo 0,4 mm e parete esterna in acciaio inox AISI 304, conformi agli standard previsti dalla marcatura CE secondo la normativa EN 1856/1. La coibentazione è realizzata in lana minerale ad alta densità di spessore 25 mm, pressata ed interposta tra le pareti senza elementi di giunzione tra le stesse (ponte termico). Gli elementi modulari hanno innesto classico a bicchiere maschio-femmina calibrato per entrambi le pareti con guarnizione di tenuta a triplice labbro da inserire sulla parete interna, conforme alla normativa europea EN 14241-1, e giunzione meccanica con fascetta di sicurezza.

Riferimento normativo e designazione

Marcatura del prodotto secondo la normativa europea: CE 0476 EN 1856-1.

T200 H1 W V2 L50040* O xx a richiesta
T200 P1 W V2 L50040* O xx con guarnizione
T600 N1 W V2 L50040 O zz / G yy senza guarnizione

* La designazione può variare in funzione della qualità e dello spessore della materia prima come indica la tabella di seguito:

V2 AISI 316L		Vm AISI 304		ISOL.	SPESSORI
EN 1856-1	TERMOCOM	EN 1856/1-2	TERMOCOM		
L50040	100S25	L20040	E100S25	25 mm	0,4 mm
L50050*	100S25	L20050	E100S25	25 mm	0,5 mm
L50060*	100S25	L20060	E100S25	25 mm	0,6 mm

O xx	T200	O zz	T600	G yy
xx = 30 mm ≈ Ø 80 ÷ 300		zz = 50 mm ≈ Ø 80 ÷ 300		yy = 70 mm ≈ Ø 80 ÷ 300
xx = 45 mm ≈ Ø 350 ÷ 450		zz = 75 mm ≈ Ø 350 ÷ 450		yy = 105 mm ≈ Ø 350 ÷ 450
xx = 60 mm ≈ Ø 500		zz = 100 mm ≈ Ø 500		yy = 140 mm ≈ Ø 500

Utilizzo

Condotti, canali da fumo, camini metallici, esalazioni aria asserviti a generatori di calore di tipo atmosferico, pressurizzato, ad aria soffiata, tradizionali o a condensazione, cappe cucina per uso industriale o domestico, stufe a legna, caminetti, stufe a pellet.

Applicazione

Installazione interna o esterna.

Diametri disponibili - mm

80/130 - 100/150 - 130/180 - 150/200 - 180/230 - 200/250 - 250/300 - 300/350 - 350/400 - 400/450 - 450/500 - 500/550. **Disponibile A RICHIESTA sino a diametro interno 800.**

GUARNIZIONI A CORREDO fino al diametro 300/350
FASCETTE A CORREDO fino al diametro 500/550

SI SCONSIGLIA l'installazione di camini / canne fumarie in acciaio inossidabile in locali chiusi dove nell'atmosfera si concentra una forte quantità di vapori alogeni come lavanderie, tintorie, tipografie, saloni di acconciature, cosmesi e simili. Se ciò avvenisse, decadrebbe ogni tipo di responsabilità e garanzia.

Double wall Serie 100S25 system is composed by modular rigid elements with BA surface finish, made with the inner wall of stainless steel AISI 316L BA minimum thickness of 0.4 mm and outer wall in stainless steel AISI 304, according to the standards set out by the European CE mark, EN 1856/1. Insulation made of high density mineral wool 25 mm thickness, pressed and interposed between the walls without connecting elements between the same (thermal junction). The modular elements have classic male-female junction calibrated for both sides, with triple seal lip gasket, conforming to European standard EN 14241-1, and mechanical connection with locking clamp.

Normative references and designation

Product marking according to the European standard: CE 0476 EN 1856-1.

T200 H1 W V2 L50040* O xx on request
T200 P1 W V2 L50040* O xx with seal
T600 N1 W V2 L50040 O zz / G yy without seal

* The designation may vary according to the quality and thickness of the raw material, as indicated in the table below:

V2 AISI 316L		Vm AISI 304		INSUL.	THICKNESS
EN 1856-1	TERMOCOM	EN 1856/1-2	TERMOCOM		
L50040	100S25	L20040	E100S25	25 mm	0.4 mm
L50050*	100S25	L20050	E100S25	25 mm	0.5 mm
L50060*	100S25	L20060	E100S25	25 mm	0.6 mm

O xx	T200	O zz	T600	G yy
xx = 30 mm ≈ Ø 80 ÷ 300		zz = 50 mm ≈ Ø 80 ÷ 300		yy = 70 mm ≈ Ø 80 ÷ 300
xx = 45 mm ≈ Ø 350 ÷ 450		zz = 75 mm ≈ Ø 350 ÷ 450		yy = 105 mm ≈ Ø 350 ÷ 450
xx = 60 mm ≈ Ø 500		zz = 100 mm ≈ Ø 500		yy = 140 mm ≈ Ø 500

Utilizations

Ducts, flue pipes, metal chimneys, air conduction subservient to atmospheric heat generators, pressurized, air blown, traditional or condensing, industrial or domestic kitchen hoods, wood stoves, fireplaces, pellet stoves.

Application

Internal or external installation.

Available diameters - mm

80/130 - 100/150 - 130/180 - 150/200 - 180/230 - 200/250 - 250/300 - 300/350 - 350/400 - 400/450 - 450/500 - 500/550. **Available ON REQUEST internal diameter up to 800.**

SEALS SUPPLIED up to diameter 300/350

LOCKING BANDS SUPPLIED up to diameter 500/550

WE DO NOT RECOMMEND the use of stainless steel chimneys systems where there is a presence of any halogens in the atmosphere. In installations where this may occur, such as the use of chimney in laundries, dry cleaners', printing premises, hairdressers, cosmetic salons and similar any responsibility and product guarantee's will be invalid.

DOPPIA PARETE - DOUBLE WALL AISI 316L

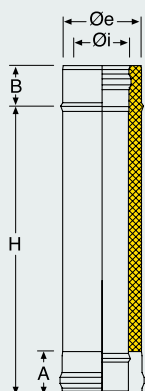


101TDPS25...



Elemento lineare da 1 m.

Pipe 1 m.

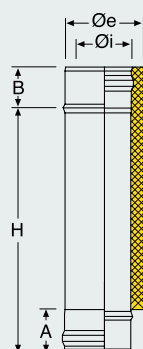


102TDPS25...



Elemento lineare da 0,50 m.

Pipe 0.50 m.

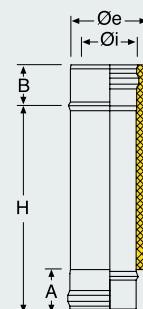


103TDPS25...



Elemento lineare da 0,33 m.

Pipe 0.33 m.



Øi	Øe	COD.	A	B	H
80	130	101TDPS25080	65	54	940
100	150	101TDPS25100	65	54	940
130	180	101TDPS25130	65	54	940
150	200	101TDPS25150	65	54	940
180	230	101TDPS25180	65	54	940
200	250	101TDPS25200	65	54	940
250	300	101TDPS25250	65	54	940
300	350	101TDPS25300	65	54	940
350	400	101TDPS25350	65	54	940
400	450	101TDPS25400	65	54	940
450	500	101TDPS25450	65	54	940
500	550	101TDPS25500	65	54	940

Øi	Øe	COD.	A	B	H
80	130	102TDPS25080	65	54	440
100	150	102TDPS25100	65	54	440
130	180	102TDPS25130	65	54	440
150	200	102TDPS25150	65	54	440
180	230	102TDPS25180	65	54	440
200	250	102TDPS25200	65	54	440
250	300	102TDPS25250	65	54	440
300	350	102TDPS25300	65	54	440
350	400	102TDPS25350	65	54	440
400	450	102TDPS25400	65	54	440
450	500	102TDPS25450	65	54	440
500	550	102TDPS25500	65	54	440

Øi	Øe	COD.	A	B	H
80	130	103TDPS25080	65	54	270
100	150	103TDPS25100	65	54	270
130	180	103TDPS25130	65	54	270
150	200	103TDPS25150	65	54	270
180	230	103TDPS25180	65	54	270
200	250	103TDPS25200	65	54	270
250	300	103TDPS25250	65	54	270
300	350	103TDPS25300	65	54	270
350	400	103TDPS25350	65	54	270
400	450	103TDPS25400	65	54	270
450	500	103TDPS25450	65	54	270
500	550	103TDPS25500	65	54	270

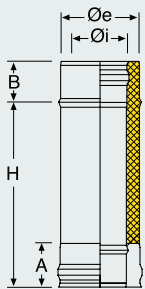
Serie 100S25

140TDPS25...



Elemento lineare da 0,25 m.

Pipe 0.25 m.

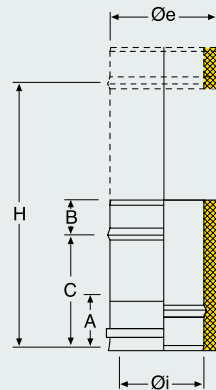


104TEXDPS25...



Elemento telescopico.

Adjustable pipe.

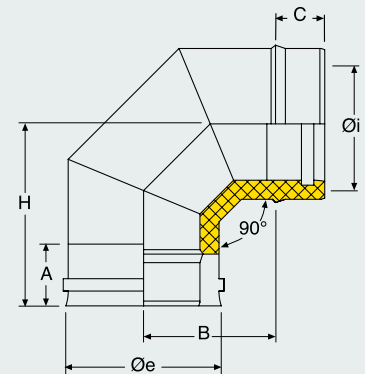


141CDPS25...



Curva a 90°.

Elbow 90°.



Øi	Øe	COD.	A	B	H
80	130	140TDPS25080	65	54	190
100	150	140TDPS25100	65	54	190
130	180	140TDPS25130	65	54	190
150	200	140TDPS25150	65	54	190
180	230	140TDPS25180	65	54	190
200	250	140TDPS25200	65	54	190
250	300	140TDPS25250	65	54	190
300	350	140TDPS25300	65	54	190
350	400	140TDPS25350	65	54	190
400	450	140TDPS25400	65	54	190
450	500	140TDPS25450	65	54	190
500	550	140TDPS25500	65	54	190

Øi	Øe	COD.	A	B	C	H
80	130	104TEXDPS25080	65	54	260	390
100	150	104TEXDPS25100	65	54	260	390
130	180	104TEXDPS25130	65	54	260	390
150	200	104TEXDPS25150	65	54	260	390
180	230	104TEXDPS25180	65	54	260	390
200	250	104TEXDPS25200	65	54	260	390
250	300	104TEXDPS25250	65	54	260	390
300	350	104TEXDPS25300	65	54	260	390
350	400	104TEXDPS25350	65	54	260	390
400	450	104TEXDPS25400	65	54	260	390
450	500	104TEXDPS25450	65	54	260	390
500	550	104TEXDPS25500	65	54	260	390

Øi	Øe	COD.	A	B	C	H
80	130	141CDPS25080	65	100	54	160
100	150	141CDPS25100	65	120	54	180
130	180	141CDPS25130	65	130	54	190
150	200	141CDPS25150	65	140	54	200
180	230	141CDPS25180	65	155	54	215
200	250	141CDPS25200	65	165	54	225
250	300	141CDPS25250	65	190	54	250
300	350	141CDPS25300	65	215	54	275
350	400	141CDPS25350	65	261	54	321
400	450	141CDPS25400	65	307	54	367
450	500	141CDPS25450	65	332	54	392
500	550	141CDPS25500	65	357	54	417

DOPPIA PARETE - DOUBLE WALL AISI 316L

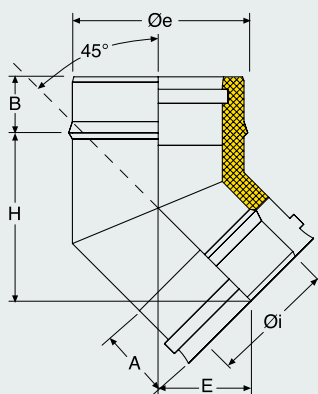


107CDPS25...



Curva a 45°.

Elbow 45°.

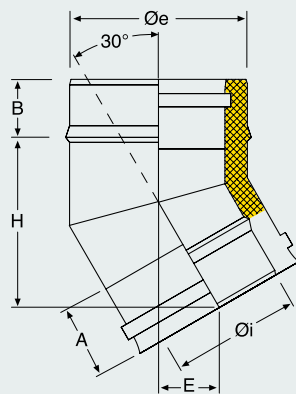


106CDPS25...



Curva a 30°.

Elbow 30°.

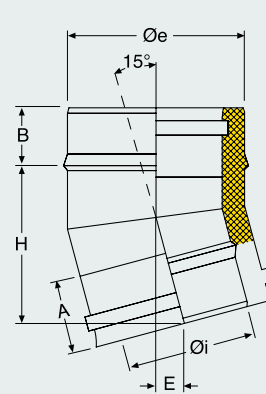


105CDPS25...



Curva a 15°.

Elbow 15°.



Øi	Øe	COD.	A	B	E	H
80	130	107CDPS25080	65	54	72	119
100	150	107CDPS25100	65	54	75	126
130	180	107CDPS25130	65	54	79	137
150	200	107CDPS25150	65	54	82	143
180	230	107CDPS25180	65	54	88	160
200	250	107CDPS25200	65	54	91	164
250	300	107CDPS25250	65	54	98	184
300	350	107CDPS25300	65	54	105	197
350	400	107CDPS25350	65	54	114	215
400	450	107CDPS25400	65	54	123	234
450	500	107CDPS25450	65	54	130	252
500	550	107CDPS25500	65	54	138	270

Øi	Øe	COD.	A	B	E	H
80	130	106CDPS25080	65	54	46	119
100	150	106CDPS25100	65	54	48	122
130	180	106CDPS25130	65	54	51	130
150	200	106CDPS25150	65	54	51	135
180	230	106CDPS25180	65	54	53	142
200	250	106CDPS25200	65	54	54	147
250	300	106CDPS25250	65	54	57	160
300	350	106CDPS25300	65	54	60	172
350	400	106CDPS25350	65	54	63	184
400	450	106CDPS25400	65	54	67	197
450	500	106CDPS25450	65	54	70	210
500	550	106CDPS25500	65	54	74	222

Øi	Øe	COD.	A	B	E	H
80	130	105CDPS25080	65	54	23	112
100	150	105CDPS25100	65	54	23	115
130	180	105CDPS25130	65	54	23	119
150	200	105CDPS25150	65	54	24	121
180	230	105CDPS25180	65	54	25	125
200	250	105CDPS25200	65	54	24	128
250	300	105CDPS25250	65	54	25	134
300	350	105CDPS25300	65	54	26	141
350	400	105CDPS25350	65	54	27	147
400	450	105CDPS25400	65	54	28	154
450	500	105CDPS25450	65	54	29	160
500	550	105CDPS25500	65	54	30	167

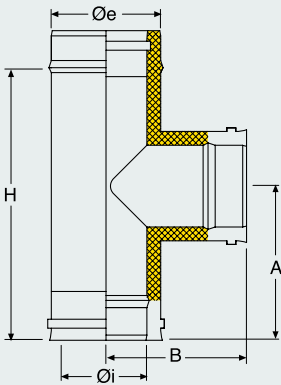
Serie 100S25

109TDPS25...



Raccordo a "T" 90°.

90° tee.

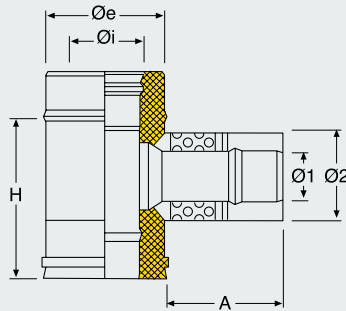


109TDPC60...



Raccordo a "T" 90° con uscita coassiale (Ø 60-100).

Tee 90° with coax outlet (Ø 60-100).

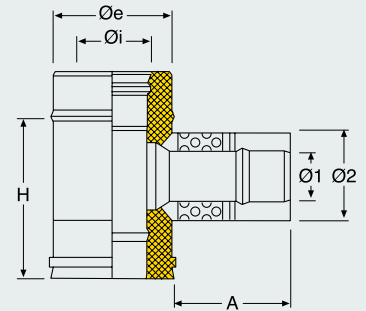


109TDPC80...



Raccordo a "T" 90° con uscita coassiale (Ø 80-125).

Tee 90° with coax outlet (Ø 80-125).



Øi	Øe	COD.	A	B	H
80	130	109TDPS25080	162	140	270
100	150	109TDPS25100	162	150	270
130	180	109TDPS25130	242	165	440
150	200	109TDPS25150	242	175	440
180	230	109TDPS25180	242	190	440
200	250	109TDPS25200	242	200	440
250	300	109TDPS25250	242	225	440
300	350	109TDPS25300	267	250	490
350	400	109TDPS25350	322	275	588
400	450	109TDPS25400	380	300	710
450	500	109TDPS25450	380	325	710
500	550	109TDPS25500	405	350	760

Øi	Øe	COD.	Ø1	Ø2	A	H
80	130	109TDPC60080	60	100	135	190
100	150	109TDPC60100	60	100	135	190
130	180	109TDPC60130	60	100	135	190
150	200	109TDPC60150	60	100	135	190
180	230	109TDPC60180	60	100	135	190
200	250	109TDPC60200	60	100	135	190
250	300	109TDPC60250	60	100	135	190
300	350	109TDPC60300	60	100	135	190
350	400	#	#	#	#	#
400	450	#	#	#	#	#
450	500	#	#	#	#	#
500	550	#	#	#	#	#

Øi	Øe	COD.	Ø1	Ø2	A	H
80	130	109TDPC80080	80	125	150	270
100	150	109TDPC80100	80	125	150	270
130	180	109TDPC80130	80	125	150	270
150	200	109TDPC80150	80	125	150	270
180	230	109TDPC80180	80	125	150	270
200	250	109TDPC80200	80	125	150	270
250	300	109TDPC80250	80	125	150	270
300	350	109TDPC80300	80	125	150	270
350	400	#	#	#	#	#
400	450	#	#	#	#	#
450	500	#	#	#	#	#
500	550	#	#	#	#	#

DOPPIA PARETE - DOUBLE WALL AISI 316L

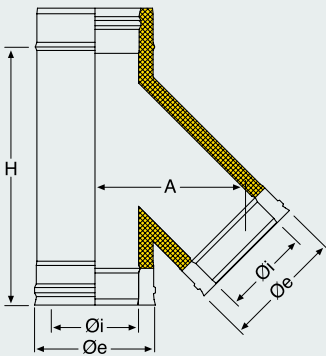


110TDPS25...



Raccordo a "T" 45°.

45° tee.

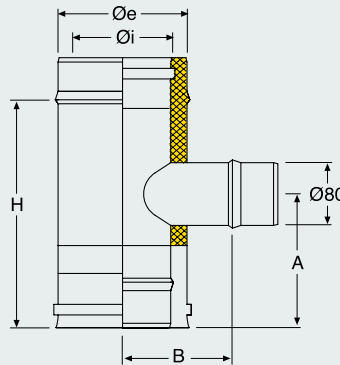


108T80DPS25...



Raccordo a "T" 90° uscita monoparete ridotta a Ø 80 mm.

Tee 90° reduced Ø 80 mm single wall.

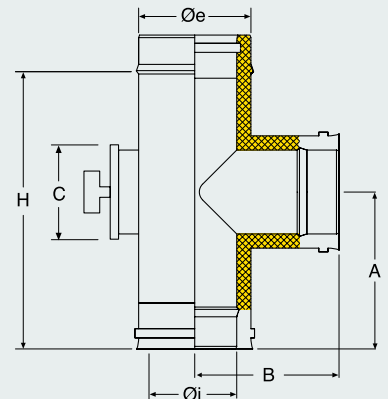


129TICDPS25...



Raccordo a "T" 90° con ispezione contrapposta con tappo tondo T 200°.

Tee 90° with round inspection on opposite side T 200°.



Øi	Øe	COD.	A	H
80	130	110TDPS25080	196	350
100	150	110TDPS25100	215	390
130	180	110TDPS25130	241	390
150	200	110TDPS25150	258	440
180	230	110TDPS25180	273	470
200	250	110TDPS25200	300	515
250	300	110TDPS25250	344	560
300	350	110TDPS25300	386	640
350	400	110TDPS25350	496	883
400	450	110TDPS25400	515	940
450	500	110TDPS25450	542	1020
500	550	110TDPS25500	593	1020

Øi	Øe	COD.	A	B	H
80	130	108T80DPS25080	123	90	190
100	150	108T80DPS25100	123	100	190
130	180	108T80DPS25130	123	115	190
150	200	108T80DPS25150	123	125	190
180	230	108T80DPS25180	123	140	190
200	250	108T80DPS25200	123	150	190
250	300	108T80DPS25250	123	175	190
300	350	108T80DPS25300	123	200	190
350	400	108T80DPS25350	123	250	190
400	450	108T80DPS25400	123	275	190
450	500	108T80DPS25450	123	300	190
500	550	108T80DPS25500	123	325	190

Øi	Øe	COD.	A	B	C	H
80	130	129TICDPS25080	162	140	80	270
100	150	129TICDPS25100	162	150	100	270
130	180	129TICDPS25130	247	165	130	440
150	200	129TICDPS25150	247	175	150	440
180	230	129TICDPS25180	247	190	180	440
200	250	129TICDPS25200	247	200	200	440
250	300	129TICDPS25250	242	225	200	440
300	350	129TICDPS25300	267	250	200	490
350	400	#	#	#	#	#
400	450	#	#	#	#	#
450	500	#	#	#	#	#
500	550	#	#	#	#	#

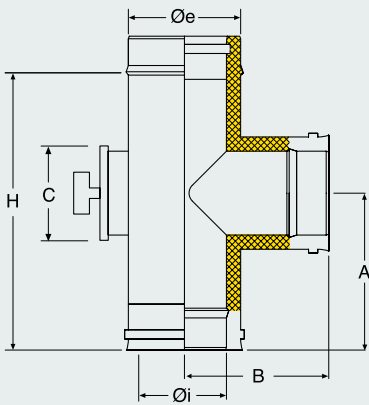
Serie 100S25

Serie 100S25

130TICHDPS25...



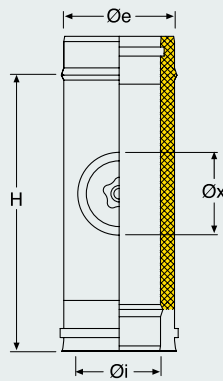
Raccordo a "T" 90° con ispezione contrapposta con tappo tondo T 600°.
Tee 90° with round inspection on opposite side T 600°.



120TIDPS25...



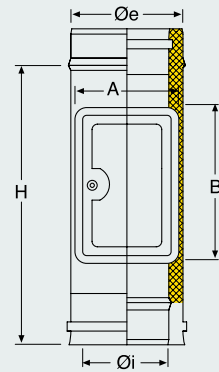
Elemento con portello tondo per ispezione T 200°.
Inspection element with round test point T 200°.



126TISDPS25...



Elemento per raccolta cenere con ispezione rettangolare.
Ash collection element with rectangular door.



Øi	Øe	COD.	A	B	C	H
80	130	130TICHDPS25080	162	140	80	270
100	150	130TICHDPS25100	162	150	100	270
130	180	130TICHDPS25130	247	165	130	440
150	200	130TICHDPS25150	247	175	150	440
180	230	130TICHDPS25180	247	190	180	440
200	250	130TICHDPS25200	247	200	200	440
250	300	130TICHDPS25250	242	225	200	440
300	350	130TICHDPS25300	267	250	200	490
350	400	#	#	#	#	#
400	450	#	#	#	#	#
450	500	#	#	#	#	#
500	550	#	#	#	#	#

Øi	Øe	COD.	Øx	H
80	130	120TIDPS25080	80	270
100	150	120TIDPS25100	100	270
130	180	120TIDPS25130	130	270
150	200	120TIDPS25150	150	270
180	230	120TIDPS25180	180	440
200	250	120TIDPS25200	200	440
250	300	120TIDPS25250	200	440
300	350	120TIDPS25300	200	440
350	400	120TIDPS25350	200	440
400	450	120TIDPS25400	200	440
450	500	120TIDPS25450	200	440
500	550	120TIDPS25500	200	440

Øi	Øe	COD.	A	B	H
80	130	126TISDPS25080	113	190	440
100	150	126TISDPS25100	113	190	440
130	180	126TISDPS25130	113	190	440
150	200	126TISDPS25150	113	190	440
180	230	126TISDPS25180	113	190	440
200	250	126TISDPS25200	113	190	440
250	300	126TISDPS25250	185	280	440
300	350	126TISDPS25300	185	280	440
350	400	126TISDPS25350	185	280	440
400	450	126TISDPS25400	185	280	440
450	500	126TISDPS25450	185	280	440
500	550	126TISDPS25500	185	280	440



DOPPIA PARETE - DOUBLE WALL AISI 316L

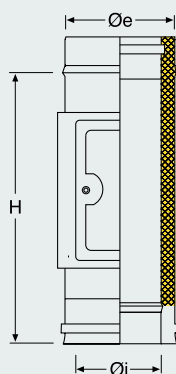


Serie 100S25

127TIDDPS25... *



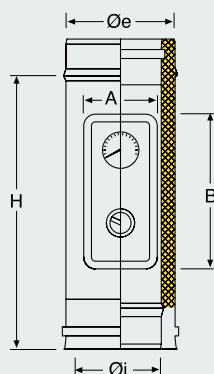
Elemento per raccolta cenere con doppio portello rettangolare.
Ash collection element with double rectangular door.



128TCPDPS25...



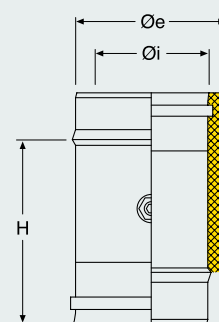
Elemento per prelievo fumi e temperatura con piastra.
Element with plate for smoke and temperature.



119TCDPS25...



Elemento per prelievo fumi.
Fumes test section with threaded sleeve.



Øi	Øe	COD.	H
80	130	127TIDDPS25080	440
100	150	127TIDDPS25100	440
130	180	127TIDDPS25130	440
150	200	127TIDDPS25150	440
180	230	127TIDDPS25180	440
200	250	127TIDDPS25200	440
250	300	127TIDDPS25250	440
300	350	127TIDDPS25300	440
350	400	127TIDDPS25350	440
400	450	127TIDDPS25400	440
450	500	#	#
500	550	#	#

Øi	Øe	COD.	A	B	H
80	130	#	#	#	#
100	150	#	#	#	#
130	180	128TCPDPS25130	113	190	440
150	200	128TCPDPS25150	113	190	440
180	230	128TCPDPS25180	113	190	440
200	250	128TCPDPS25200	113	190	440
250	300	128TCPDPS25250	185	280	440
300	350	128TCPDPS25300	185	280	440
350	400	128TCPDPS25350	185	280	440
400	450	128TCPDPS25400	185	280	440
450	500	128TCPDPS25450	185	280	440
500	550	128TCPDPS25500	185	280	440

Øi	Øe	COD.	H
80	130	119TCDPS25080	190
100	150	119TCDPS25100	190
130	180	119TCDPS25130	190
150	200	119TCDPS25150	190
180	230	119TCDPS25180	190
200	250	119TCDPS25200	190
250	300	119TCDPS25250	190
300	350	119TCDPS25300	190
350	400	119TCDPS25350	190
400	450	119TCDPS25400	190
450	500	119TCDPS25450	190
500	550	119TCDPS25500	190

* A richiesta
On request

Non disponibile
Not available

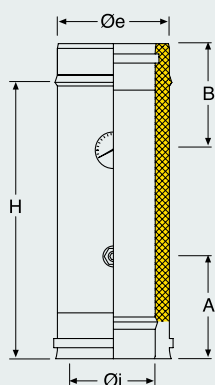
Serie 100S25

125TCSPDPS25...



Elemento per prelievo fumi e temperatura.

Element for smoke and temperature test with threaded sleeve.

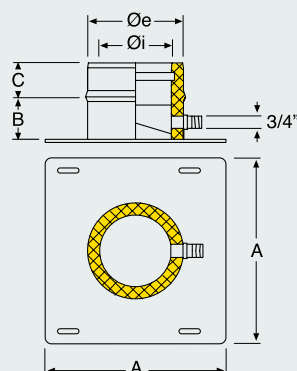


136PSDPLS25...



Piastra di partenza con scarico laterale.

Base plate with drain plug.

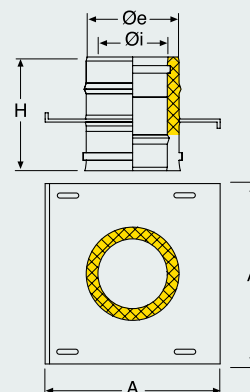


121PIDPS25...



Piastra intermedia.

Intermediate anchor plate.



Øi	Øe	COD.	A	B	H
80	130	125TCSPDPS25080	160	160	440
100	150	125TCSPDPS25100	160	160	440
130	180	125TCSPDPS25130	160	160	440
150	200	125TCSPDPS25150	160	160	440
180	230	125TCSPDPS25180	160	160	440
200	250	125TCSPDPS25200	160	160	440
250	300	125TCSPDPS25250	160	160	440
300	350	125TCSPDPS25300	160	160	440
350	400	125TCSPDPS25350	160	160	440
400	450	125TCSPDPS25400	160	160	440
450	500	125TCSPDPS25450	160	160	440
500	550	125TCSPDPS25500	160	160	440

Øi	Øe	COD.	A	B	C
80	130	136PSDPLS25080	230	100	54
100	150	136PSDPLS25100	250	100	54
130	180	136PSDPLS25130	280	100	54
150	200	136PSDPLS25150	300	100	54
180	230	136PSDPLS25180	330	100	54
200	250	136PSDPLS25200	350	100	54
250	300	136PSDPLS25250	400	100	54
300	350	136PSDPLS25300	450	100	54
350	400	136PSDPLS25350	500	100	54
400	450	136PSDPLS25400	550	100	54
450	500	136PSDPLS25450	600	100	54
500	550	136PSDPLS25500	650	100	54

Øi	Øe	COD.	A	H
80	130	121PIDPS25080	230	190
100	150	121PIDPS25100	250	190
130	180	121PIDPS25130	280	190
150	200	121PIDPS25150	300	190
180	230	121PIDPS25180	330	190
200	250	121PIDPS25200	350	190
250	300	121PIDPS25250	400	190
300	350	121PIDPS25300	450	190
350	400	121PIDPS25350	500	190
400	450	121PIDPS25400	550	190
450	500	121PIDPS25450	600	190
500	550	121PIDPS25500	650	190

DOPPIA PARETE - DOUBLE WALL AISI 316L



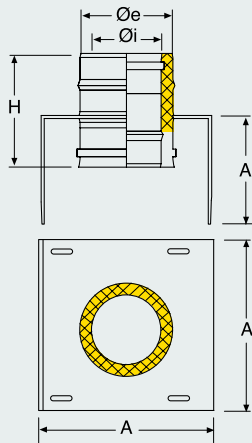
Serie 100S25

114SMDPS25...



Supporto murale completo di coppia supporti.

Wall support with cantilever brackets.



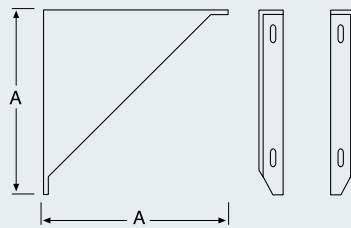
Øi	Øe	COD.	A	H
80	130	114SMDPS25080	230	190
100	150	114SMDPS25100	250	190
130	180	114SMDPS25130	280	190
150	200	114SMDPS25150	300	190
180	230	114SMDPS25180	330	190
200	250	114SMDPS25200	350	190
250	300	114SMDPS25250	400	190
300	350	114SMDPS25300	450	190
350	400	114SMDPS25350	500	190
400	450	114SMDPS25400	550	190
450	500	114SMDPS25450	600	190
500	550	114SMDPS25500	650	190

115ALSM DPS25...



Coppia di supporti per piastra.

Cantilever brackets (pair).



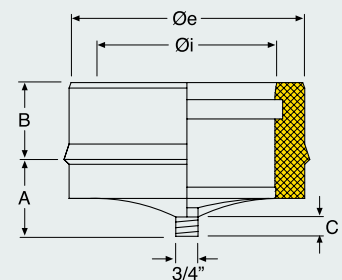
Øi	Øe	COD.	A
80	130	115ALSM DPS25080	230
100	150	115ALSM DPS25100	250
130	180	115ALSM DPS25130	280
150	200	115ALSM DPS25150	300
180	230	115ALSM DPS25180	330
200	250	115ALSM DPS25200	350
250	300	115ALSM DPS25250	400
300	350	115ALSM DPS25300	450
350	400	115ALSM DPS25350	500
400	450	115ALSM DPS25400	550
450	500	115ALSM DPS25450	600
500	550	115ALSM DPS25500	650

124PDPS25...



Scarico condensa.

Tee cap with condense drain.



Øi	Øe	COD.	A	B	C
80	130	124PDPS25080	65	54	12
100	150	124PDPS25100	65	54	12
130	180	124PDPS25130	65	54	12
150	200	124PDPS25150	65	54	12
180	230	124PDPS25180	65	54	12
200	250	124PDPS25200	65	54	12
250	300	124PDPS25250	65	54	12
300	350	124PDPS25300	65	54	12
350	400	124PDPS25350	65	54	12
400	450	124PDPS25400	65	54	12
450	500	124PDPS25450	65	54	12
500	550	124PDPS25500	65	54	12

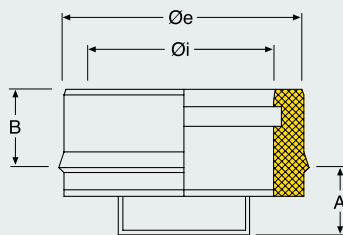
Serie 100S25

123TCS25...



Tappo cieco.

Tee cap.

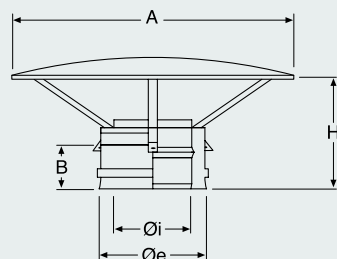


111SDPS25...



Cappello cinese.

Rain cap.

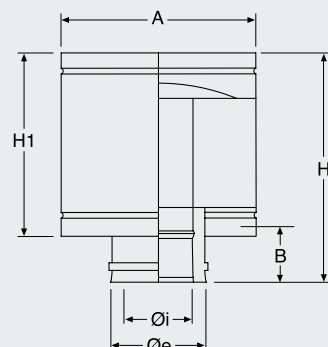


135SDPAS25...



Terminale anti intemperie.

Anti draught terminal.



Øi	Øe	COD.	A	B
80	130	123TCS25080	55	54
100	150	123TCS25100	55	54
130	180	123TCS25130	55	54
150	200	123TCS25150	55	54
180	230	123TCS25180	55	54
200	250	123TCS25200	55	54
250	300	123TCS25250	55	54
300	350	123TCS25300	55	54
350	400	123TCS25350	55	54
400	450	123TCS25400	55	54
450	500	123TCS25450	55	54
500	550	123TCS25500	55	54

Øi	Øe	COD.	A	B	H
80	130	111SDPS25080	265	65	205
100	150	111SDPS25100	265	65	210
130	180	111SDPS25130	320	65	225
150	200	111SDPS25150	320	65	235
180	230	111SDPS25180	400	65	255
200	250	111SDPS25200	400	65	260
250	300	111SDPS25250	500	65	285
300	350	111SDPS25300	600	65	310
350	400	111SDPS25350	720	65	310
400	450	111SDPS25400	720	65	310
450	500	111SDPS25450	850	65	330
500	550	111SDPS25500	850	65	330

Øi	Øe	COD.	A	B	H	H1
80	130	135SDPAS25080	220	65	240	165
100	150	135SDPAS25100	260	65	260	200
130	180	135SDPAS25130	300	65	280	200
150	200	135SDPAS25150	310	65	320	250
180	230	135SDPAS25180	370	65	340	250
200	250	135SDPAS25200	420	65	340	250
250	300	135SDPAS25250	470	65	400	310
300	350	135SDPAS25300	530	65	400	310
350	400	135SDPAS25350	800	65	420	330
400	450	135SDPAS25400	900	65	420	330
450	500	135SDPAS25450	1000	65	450	360
500	550	135SDPAS25500	1000	65	450	380

DOPPIA PARETE - DOUBLE WALL AISI 316L

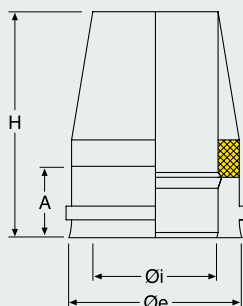


117FCDPS25...



Terminale tronco conico.

Venturi cone terminal.

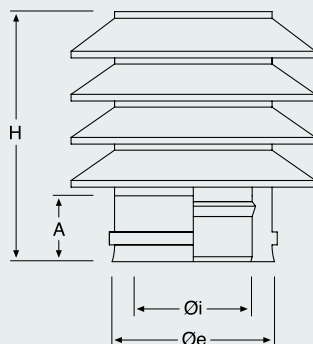


137TARSS25...



Terminale architettonico.

Architectural terminal.

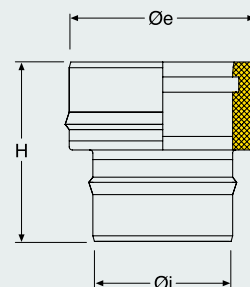


118EDPS25...



Raccordo ingresso mono - doppia
(raccordo per caldaia).

*Adaptor from single to double wall
(boiler adaptor).*



Øi	Øe	COD.	A	H
80	130	117FCDPS25080	65	200
100	150	117FCDPS25100	65	200
130	180	117FCDPS25130	65	200
150	200	117FCDPS25150	65	200
180	230	117FCDPS25180	65	200
200	250	117FCDPS25200	65	200
250	300	117FCDPS25250	65	200
300	350	117FCDPS25300	65	200
350	400	117FCDPS25350	65	290
400	450	117FCDPS25400	65	290
450	500	117FCDPS25450	65	290
500	550	117FCDPS25500	65	290

Øi	Øe	COD.	A	H
80	130	137TARSS25080	65	200
100	150	137TARSS25100	65	200
130	180	137TARSS25130	65	200
150	200	137TARSS25150	65	400
180	230	137TARSS25180	65	400
200	250	137TARSS25200	65	400
250	300	137TARSS25250	65	400
300	350	137TARSS25300	65	400
350	400	#	#	#
400	450	#	#	#
450	500	#	#	#
500	550	#	#	#

Øi	Øe	COD.	H
80	130	118EDPS25080	160
100	150	118EDPS25100	160
130	180	118EDPS25130	160
150	200	118EDPS25150	160
180	230	118EDPS25180	160
200	250	118EDPS25200	160
250	300	118EDPS25250	160
300	350	118EDPS25300	160
350	400	118EDPS25350	160
400	450	118EDPS25400	160
450	500	118EDPS25450	160
500	550	118EDPS25500	160

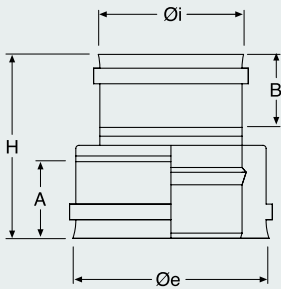
Serie 100S25

144GDPS25...

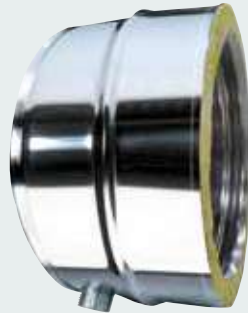


Raccordo uscita doppia - mono.

Adaptor from double to single wall.

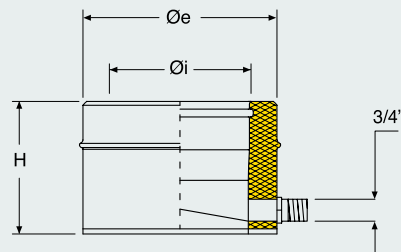


138PLDPS25...



Raccordo con scarico condensa laterale per montaggio orizzontale.

Adaptor with lateral condense drain for horizontal mounting.

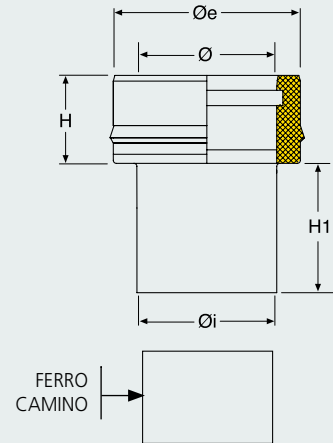


▲ EXRCIDPLNFENB...



Raccordo universale monoparete - doppia parete. Si usa con la linea FERRO CAMINO.

Universal adaptor single - double wall. It is used with the range FERRO CAMINO.



Øi	Øe	COD.	A	B	H
80	130	144GDPS25080	65	65	160
100	150	144GDPS25100	65	65	160
130	180	144GDPS25130	65	65	160
150	200	144GDPS25150	65	65	160
180	230	144GDPS25180	65	65	160
200	250	144GDPS25200	65	65	160
250	300	144GDPS25250	65	65	160
300	350	144GDPS25300	65	65	160
350	400	144GDPS25350	65	65	160
400	450	144GDPS25400	65	65	160
450	500	144GDPS25450	65	65	160
500	550	144GDPS25500	65	65	160

Øi	Øe	COD.	H
80	130	138PLDPS25080	125
100	150	138PLDPS25100	125
130	180	138PLDPS25130	125
150	200	138PLDPS25150	125
180	230	138PLDPS25180	125
200	250	138PLDPS25200	125
250	300	138PLDPS25250	125
300	350	138PLDPS25300	125

Øi	Øe	COD.	Ø	H	H1
80	130	#	#	#	#
100	150	#	#	#	#
130	180	EXRCIDPLNFENB13	130	80	200
150	200	EXRCIDPLNFENB15	150	80	200
180	230	EXRCIDPLNFENB18	180	80	200
200	250	EXRCIDPLNFENB20	200	80	200

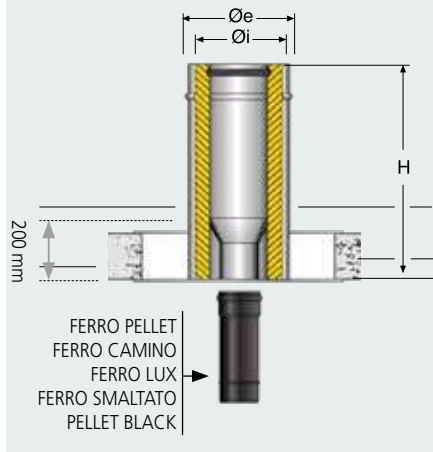


▲ EXTDP5CPART... *



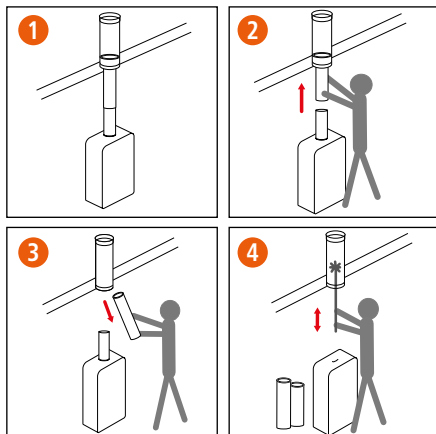
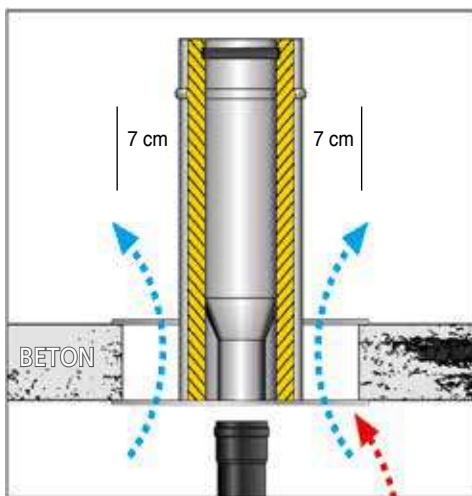
Filosol25

Elemento di finitura mono - doppia scorrevole.
Facilita montaggio/smontaggio del canale da fumo.
*Single - double sliding finishing element.
It makes easy install / remove the flue pipe.*



\varnothing_i	\varnothing_e	COD.	H
80	130	EXTDP5CPART08	500
100	150	EXTDP5CPART10	500
130	180	EXTDP5CPART13	500
150	200	EXTDP5CPART15	500
180	230	EXTDP5CPART18	500
200	250	EXTDP5CPART20	500

FILOSOL25



▲ Soluzione ridotta a richiesta
Reduced solution on request

* A richiesta
On request

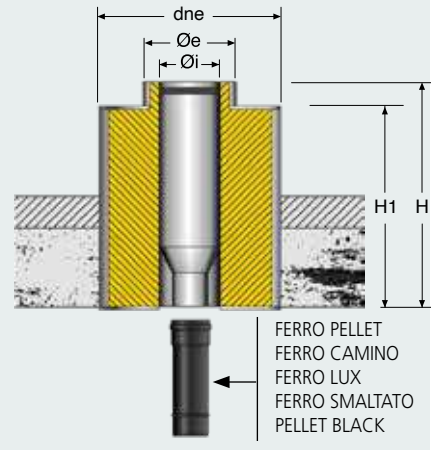
Serie 100S25

▲ **FILOSOL100...** *

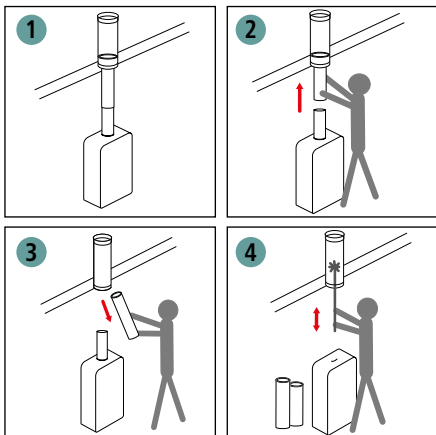


Elemento di finitura mono - doppia scorrevole con elevato spessore di lana di roccia ad alta densità. Facilita le operazioni di montaggio/ smontaggio del canale da fumo.

Single - double sliding finishing element with high thickness of high density rock wool. It makes easy install / remove the flue pipe.

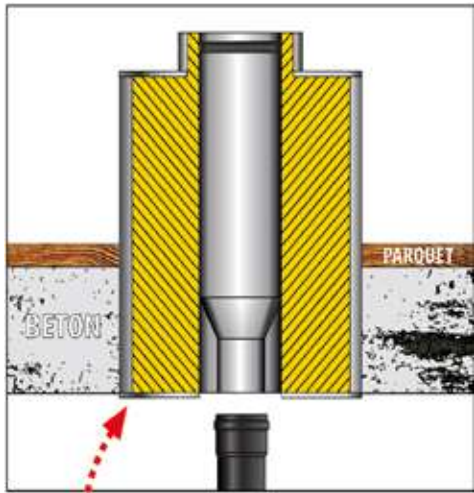


Øi	Øe	COD.	dne	H	H1
80	130	FILOSOL10008	280	500	400
100	150	FILOSOL10010	300	500	400
130	180	FILOSOL10013	350	500	400
150	200	FILOSOL10015	350	500	400
180	230	FILOSOL10018	400	500	400
200	250	FILOSOL10020	400	500	400



Filosol100 GZero

FILOSOL100



DOPPIA PARETE - DOUBLE WALL AISI 316L

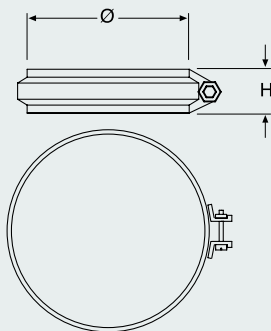


199BRIVDPS25...



Fascetta di sicurezza.

Locking band.

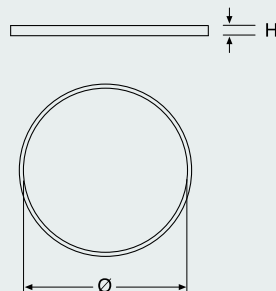


F3000/RING...



Guarnizione di tenuta in silicone nero.

Silicon black seal.



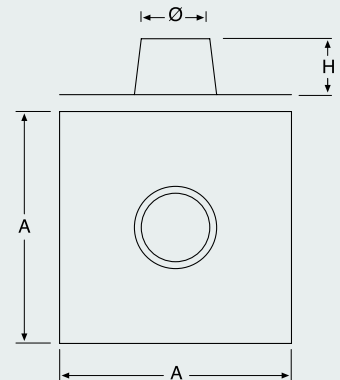
316CAP...

SOSTITUISCE / REPLACES
cod. 131CADPAS25...



Faldale piano inox.

Flat stainless steel flashing.



Øi	Øe	COD.	H
80	130	199BRIVDPS25080	30
100	150	199BRIVDPS25100	30
130	180	199BRIVDPS25130	30
150	200	199BRIVDPS25150	30
180	230	199BRIVDPS25180	30
200	250	199BRIVDPS25200	30
250	300	199BRIVDPS25250	30
300	350	199BRIVDPS25300	30
350	400	199BRIVDPS25350	30
400	450	199BRIVDPS25400	30
450	500	199BRIVDPS25450	30
500	550	199BRIVDPS25500	30

Øi	COD.	H
80	F3000/RING080	10
100	F3000/RING100	10
130	F3000/RING130	10
150	F3000/RING150	10
180	F3000/RING180	10
200	F3000/RING200	10
250	F3000/RING250	10
300	F3000/RING300	10
350	Ø 300 F3000/RING300	◆ 10
400	Ø 350 F3000/RING350	◆ 10
450	Ø 350 F3000/RING350	◆ 10
500	Ø 450 F3000/RING450	◆ 10

Øi	Øe	COD.	A	H
80	130	316CAP130	400	150
100	150	316CAP150	500	150
130	180	316CAP180	500	170
150	200	316CAP200	600	180
180	230	316CAP230	600	210
200	250	316CAP250	600	210
250	300	316CAP300	600	230
300	350	316CAP350	680	230
350	400	316CAP400	700	200
400	450	316CAP450	850	200
450	500	316CAP500	900	200
500	550	316CAP550	950	200

! CONSIDERARE IL DIAMETRO ESTERNO
CONSIDER THE EXTERNAL DIAMETER

◆ Posizionata sul lato maschio del pezzo
Positioned on the male side of the item

Serie 100S25

326CAGI...

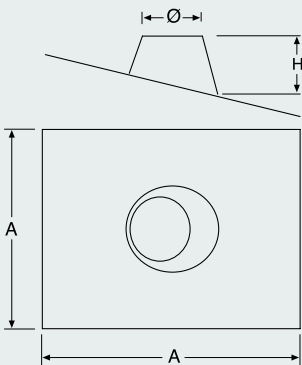


SOSTITUISCE / REPLACES
cod. 131CADPAIS25...



Faldale regolabile da 5° a 30° con base inox.

Adjustable stainless steel flashing from 5° to 30°.

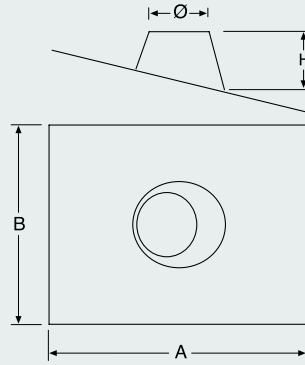


356CAGI45...



Faldale regolabile da 30° a 45° con base inox.

Adjustable stainless steel flashing from 30° to 45°.

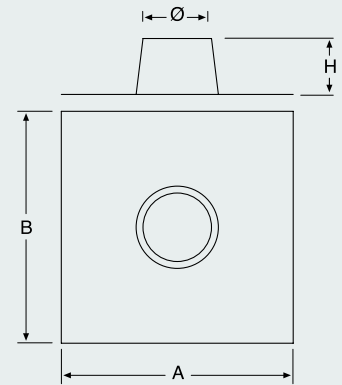


316CAPA...



Faldale piano con base in alluminio.

Flat flashing with aluminum base.



Øi	Øe	COD.	A	H
80	130	326CAGI130	400	150
100	150	326CAGI150	500	150
130	180	326CAGI180	500	170
150	200	326CAGI200	600	180
180	230	326CAGI230	600	210
200	250	326CAGI250	600	210
250	300	326CAGI300	600	230
300	350	326CAGI350	680	230
350	400	326CAGI400	700	200
400	450	326CAGI450	850	200
450	500	326CAGI500	900	200
500	550	326CAGI550	950	200

Øi	Øe	COD.	A	B	H
80	130	326CAGI45130	450	550	150
100	150	326CAGI45150	550	650	150
130	180	326CAGI45180	650	750	170
150	200	326CAGI45200	650	750	180
180	230	326CAGI45230	650	750	210
200	250	326CAGI45250	650	750	210
250	300	326CAGI45300	750	850	230
300	350	326CAGI45350	750	850	230
350	400	326CAGI45400	850	850	200
400	450	326CAGI45450	850	850	200
450	500	326CAGI45500	900	900	200
500	550	326CAGI45550	950	950	200

Øi	Øe	COD.	A	B	H
80	130	316CAPA130	550	650	150
100	150	316CAPA150	550	650	150
130	180	316CAPA180	650	750	170
150	200	316CAPA200	650	750	180
180	230	#	#	#	#
200	250	316CAPA250	650	750	210
250	300	316CAPA300	750	850	230
300	350	316CAPA350	750	850	230
350	400	316CAPA400	1000	1000	200
400	450	316CAPA450	1000	1000	200
450	500	316CAPA500	1000	1000	200
500	550	#	#	#	#

! CONSIDERARE IL DIAMETRO ESTERNO
CONSIDER THE EXTERNAL DIAMETER

DOPPIA PARETE - DOUBLE WALL AISI 316L

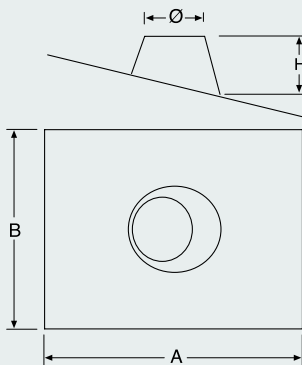


326CAGA...



Faldale regolabile da 5° a 30° con base in alluminio.

Adjustable flashing from 5° to 30° with aluminum base.



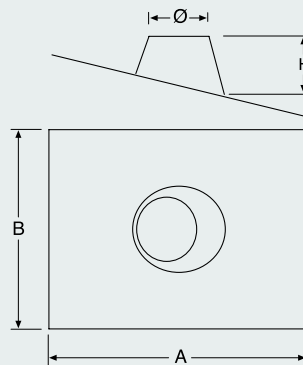
326CAG... !

SOSTITUISCE / REPLACES
cod. 116CABPS25...



Faldale regolabile da 5° a 30° con base in piombo.

Adjustable flashing from 5° to 30° with lead base.

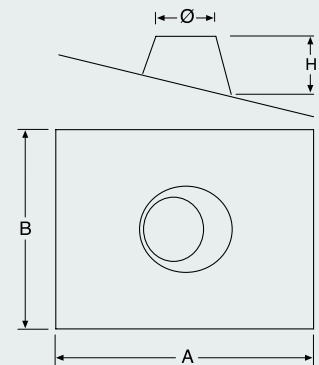


356CAG45...



Faldale regolabile da 30° a 45° con base in piombo.

Adjustable flashing from 30° to 45° with lead base.



Øi	Øe	COD.	A	B	H
80	130	326CAGA130	850	550	150
100	150	326CAGA150	850	550	150
130	180	326CAGA180	1000	650	170
150	200	326CAGA200	1000	650	180
180	230	#	#	#	#
200	250	326CAGA250	1000	650	210
250	300	326CAGA300	1000	750	230
300	350	326CAGA350	1000	750	230
350	400	326CAGA400	1000	1000	200
400	450	326CAGA450	1000	1000	200
450	500	326CAGA500	1000	1000	200
500	550	#	#	#	#

Øi	Øe	COD.	A	B	H
80	130	326CAG130	600	600	150
100	150	326CAG150	600	800	150
130	180	326CAG180	800	800	170
150	200	326CAG200	800	800	180
180	230	326CAG230	800	800	210
200	250	326CAG250	800	800	210
250	300	326CAG300	800	800	230
300	350	326CAG350	1000	800	230
350	400	326CAG400	1000	1000	200
400	450	326CAG450	1000	1000	200
450	500	326CAG500	1000	1000	200
500	550	326CAG500	1000	1000	200

Øi	Øe	COD.	A	B	H
80	130	356CAG45130	800	800	150
100	150	356CAG45150	800	800	150
130	180	356CAG45180	800	800	170
150	200	356CAG45200	800	800	180
180	230	#	#	#	#
200	250	356CAG45250	1000	800	210
250	300	356CAG45300	1000	800	230
300	350	356CAG45350	1000	1000	250
350	400	#	#	#	#
400	450	#	#	#	#
450	500	#	#	#	#
500	550	#	#	#	#

! CONSIDERARE IL DIAMETRO ESTERNO
CONSIDER THE EXTERNAL DIAMETER

Serie 100S25

328VIG...

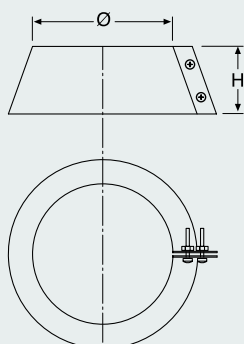


SOSTITUISCE / REPLACES
cod. 122VDPS25...



Fascetta anti intemperie.

Storm collar.

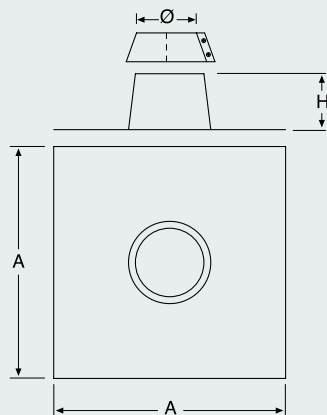


316COCAP...



Faldale piano con base inox e fascetta anti intemperie.

Flat stainless steel flashing with storm collar.

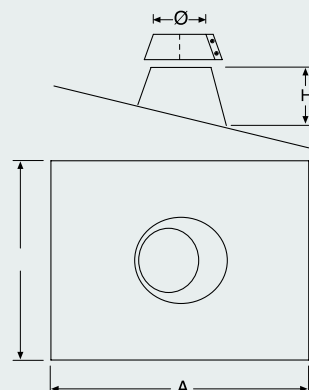


326COCAG ...



Faldale regolabile da 5° a 30° con base in piombo e fascetta anti intemperie.

Adjustable flashing from 5° to 30° with lead base and storm collar.



Øi	Øe	COD.	H
80	130	328VIG130	100
100	150	328VIG150	100
130	180	328VIG180	100
150	200	328VIG200	100
180	230	328VIG230	100
200	250	328VIG250	100
250	300	328VIG300	100
300	350	328VIG350	100
350	400	328VIG400	100
400	450	328VIG450	100
450	500	328VIG500	100
500	550	328VIG550	100

Øi	Øe	COD.	A	H
80	130	316COCAP130	450	150
100	150	316COCAP150	500	150
130	180	316COCAP180	600	170
150	200	316COCAP200	600	180
180	230	316COCAP230	600	210
200	250	316COCAP250	600	210
250	300	316COCAP300	600	230
300	350	316COCAP350	680	230
350	400	316COCAP400	700	200
400	450	316COCAP450	750	200
450	500	316COCAP500	800	200
500	550	316COCAP550	850	200

Øi	Øe	COD.	A	B	H
80	130	326COCAG130	600	600	150
100	150	326COCAG150	600	600	150
130	180	326COCAG180	800	800	170
150	200	326COCAG200	800	800	180
180	230	326COCAG230	800	800	210
200	250	326COCAG250	800	800	210
250	300	326COCAG300	800	800	230
300	350	326COCAG350	1000	800	230
350	400	326COCAG400	1000	1000	200
400	450	326COCAG450	1000	1000	200
450	500	326COCAG500	1000	1000	200
500	550	326COCAG550	1000	1000	200

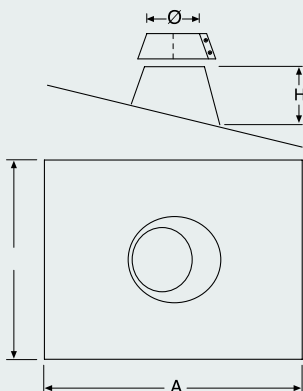
! CONSIDERARE IL DIAMETRO ESTERNO
CONSIDER THE EXTERNAL DIAMETER



356COCAG45...



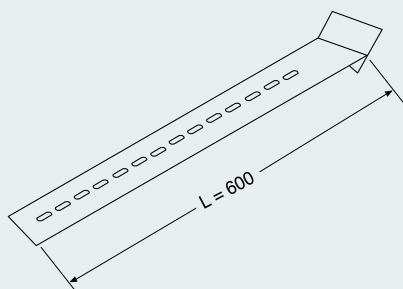
Faldale regolabile da 30° a 45° con base in piombo e fascetta anti intemperie.
Adjustable flashing from 30° to 45° with lead base and storm collar.



DISTREG



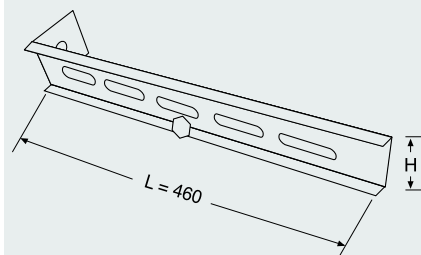
Distanziale regolabile per collare a muro
L = 600 mm.
Adjustable distance piece for wall bracket L = 600 mm.



351DCM



Distanziale universale per collare a muro (coppia) L = 460 mm.
Compreso di bulloneria.
Universal distance piece for wall bracket (pair) L = 460 mm. Including bolts.



Øi	Øe	COD.	A	B	H
80	130	356COCAG45130	800	800	150
100	150	356COCAG45150	800	800	150
130	180	356COCAG45180	800	800	170
150	200	356COCAG45200	800	800	180
180	230	356COCAG45230	1000	800	210
200	250	356COCAG45250	1000	800	210
250	300	356COCAG45300	1000	800	230
300	350	356COCAG45350	1000	1000	230
350	400	356COCAG45400	1000	1000	200
400	450	356COCAG45450	1000	1000	200
450	500	356COCAG45500	1000	1000	200
500	550	356COCAG45550	1000	1000	200

COD.	L
DISTREG	600

Øi	Øe	COD.	H
80	130	351DCM	40
100	150	351DCM	40
130	180	351DCM	40
150	200	351DCM	40
180	230	351DCM	40
200	250	351DCM	40
250	300	351DCM	40
300	350	351DCM	40
350	400	351DCMH100	100
400	450	351DCMH100	100
450	500	351DCMH100	100
500	550	351DCMH100	100

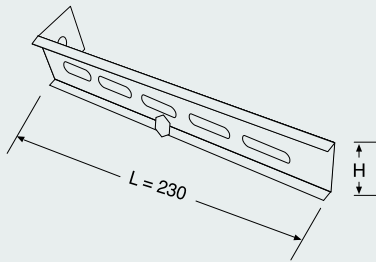
Serie 100S25

352DCMC



Distanziale universale per collare a muro (coppia) L = 230 mm.
Compreso di bulloneria.

Universal distance piece for wall bracket (pair) L = 230 mm. Including bolts.



330BMG...

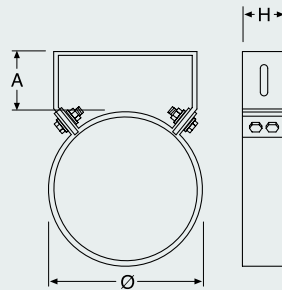


SOSTITUISCE / REPLACES
cod. 112BMDPS25...



Collare a muro regolabile da 50 a 100 mm.

Wall bracket adjustable from 50 to 100 mm.

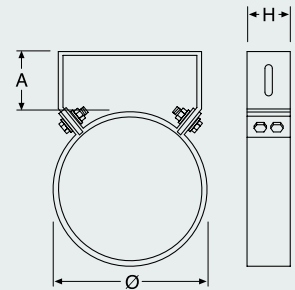


360COLLSS...



Collare a muro.

Wall bracket.



Øi	Øe	COD.	H
80	130	352DCMC	40
100	150	352DCMC	40
130	180	352DCMC	40
150	200	352DCMC	40
180	230	352DCMC	40
200	250	352DCMC	40
250	300	352DCMC	40
300	350	352DCMC	40
350	400	352DCMCH100	100
400	450	352DCMCH100	100
450	500	352DCMCH100	100
500	550	352DCMCH100	100

Øi	Øe	COD.	A	H
80	130	330BMG130	50-100	40
100	150	330BMG150	50-100	40
130	180	330BMG180	50-100	40
150	200	330BMG200	50-100	40
180	230	330BMG230	50-100	40
200	250	330BMG250	50-100	40
250	300	330BMG300	50-100	40
300	350	330BMG350	50-100	40
350	400	330BMG400	50-100	100
400	450	330BMG450	50-100	100
450	500	330BMG500	50-100	100
500	550	330BMG550	50-100	100

Øi	Øe	COD.	A	H
80	130	360COLLSS130	50	40
100	150	360COLLSS150	50	40
130	180	360COLLSS180	50	40
150	200	360COLLSS200	50	40
180	230	360COLLSS230	50	40
200	250	360COLLSS250	50	40
250	300	360COLLSS300	50	40
300	350	360COLLSS350	50	40
350	400	360COLLSS400	50	100
400	450	360COLLSS450	50	100
450	500	360COLLSS500	50	100
500	550	360COLLSS550	50	100



CONSIDERARE IL DIAMETRO ESTERNO
CONSIDER THE EXTERNAL DIAMETER

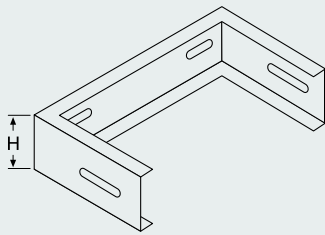


EXDISC...



Distanziale per collare a muro.

Extension for wall bracket single wall.



343BV...

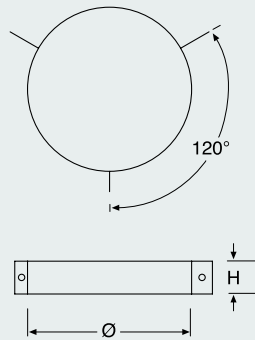


SOSTITUISCE / REPLACES
cod. 113BVDP25...



Collare per cavi tiranti.

Guy wire bracket.

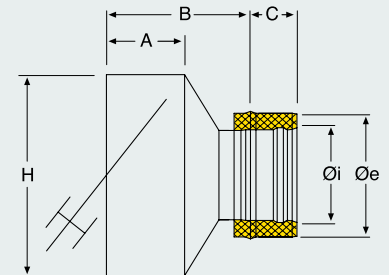


180REGTDPS25...



Raccordo con regolatore di tiraggio.

Stabilizer section.



Øi	Øe	COD.	H
80	130	EXDISC08	40
100	150	EXDISC10	40
130	180	EXDISC13	40
150	200	EXDISC15	40
180	230	EXDISC18	40
200	250	EXDISC20	40
250	300	EXDISC25	40
300	350	EXDISC30	40
350	400	EXDISC35	100
400	450	EXDISC40	100
450	500	EXDISC45	100
500	550	EXDISC50	100

Øi	Øe	COD.	H
80	130	343BV130	40
100	150	343BV150	40
130	180	343BV180	40
150	200	343BV200	40
180	230	343BV230	40
200	250	343BV250	40
250	300	343BV300	40
300	350	343BV350	40
350	400	343BV400	40
400	450	343BV450	40
450	500	343BV500	40
500	550	343BV550	40

Øi	Øe	COD.	A	B	C	H
80	130	180REGTDPS25080	100	129	54	180
100	150	180REGTDPS25100	100	129	54	180
130	180	180REGTDPS25130	33	94	54	180
150	200	180REGTDPS25150	33	94	54	180
180	230	180REGTDPS25180	33	63	54	180
200	250	180REGTDPS25200	33	94	54	180
250	300	180REGTDPS25250	33	94	54	180
300	350	180REGTDPS25300	33	246	54	180
350	400	#	#	#	#	#
400	450	#	#	#	#	#
450	500	#	#	#	#	#
500	550	#	#	#	#	#

! CONSIDERARE IL DIAMETRO ESTERNO
CONSIDER THE EXTERNAL DIAMETER

* A richiesta
On request

Non disponibile
Not available

Serie 100S25

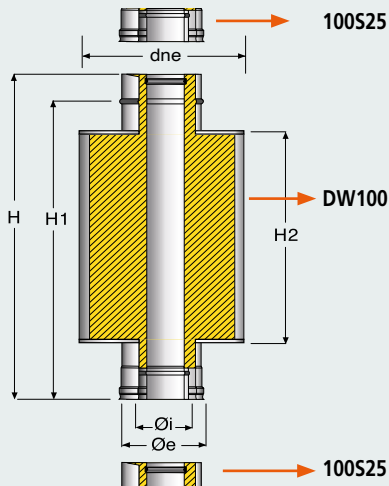
184PDWS25...



**DW100
gonfio**

Tubo DW100 omologato Gzero per passaggio a tetto - h 1000 mm.

Homologated Gzero pipe DW100 for roof passing-through element - h 1000 mm.



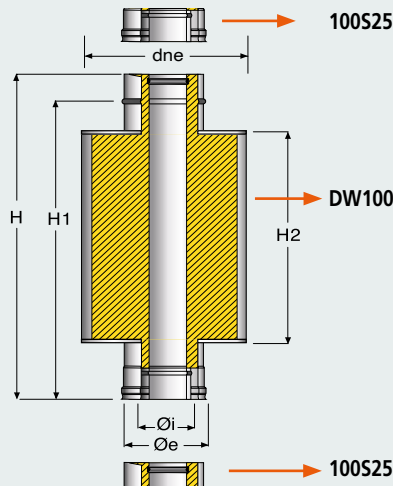
100S25		COD.	DW100			
Øi	Øe		Øi	dne	H	H1 H2
80	130	184PDWS25080	80	280	1000	940 800
100	150	184PDWS25100	100	300	1000	940 800
130	180	184PDWS25130	130	350	1000	940 800
150	200	184PDWS25150	150	350	1000	940 800
180	230	184PDWS25180	180	400	1000	940 800
200	250	184PDWS25200	200	400	1000	940 800
250	300	184PDWS25250	250	450	1000	940 800
300	350	184PDWS25300	300	500	1000	940 800

183PDWS25...



Tubo DW100 omologato Gzero per passaggio a tetto - h 700 mm.

Homologated Gzero pipe DW100 for roof passing-through element - h 700 mm.



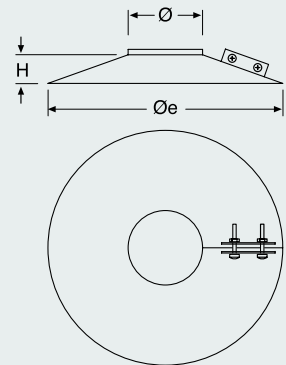
100S25		COD.	DW100			
Øi	Øe		Øi	dne	H	H1 H2
80	130	183PDWS25080	80	280	700	640 500
100	150	183PDWS25100	100	300	700	640 500
130	180	183PDWS25130	130	350	700	640 500
150	200	183PDWS25150	150	350	700	640 500
180	230	183PDWS25180	180	400	700	640 500
200	250	183PDWS25200	200	400	700	640 500
250	300	183PDWS25250	250	450	700	640 500
300	350	183PDWS25300	300	500	700	640 500

182PSTVDPS25... ✕



Fascetta anti intemperie per passaggio a tetto.

Storm collar for roof passing-through element.



100S25		COD.	Ø	Øe	H
Øi	Øe				
80	130	182PSTVDPS25080	130	450	20
100	150	182PSTVDPS25100	150	450	20
130	180	182PSTVDPS25130	180	500	20
150	200	182PSTVDPS25150	200	500	20
180	230	182PSTVDPS25180	230	550	20
200	250	182PSTVDPS25200	250	550	20
250	300	182PSTVDPS25250	300	600	20
300	350	182PSTVDPS25300	350	650	20

✕ DA UTILIZZARE CON IL PASSAGGIO A TETTO
TO BE USED WITH THE ROOF PASSING-THROUGH

DOPPIA PARETE - DOUBLE WALL AISI 316L



185PSTDPAS25...

181PSTDPS25...

EXCOLSTAT...

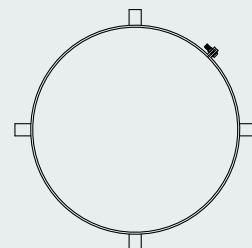
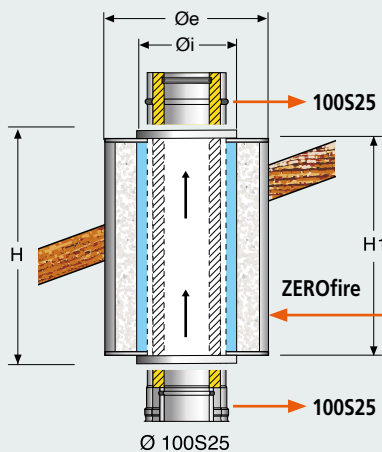
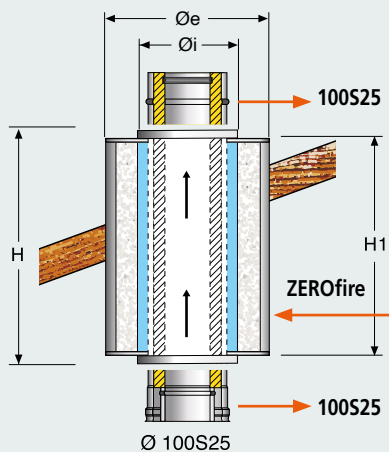
ZEROFire



Accessorio passaggio a tetto per canna fumaria passante in 100S25 - h 1000 mm.
Roof passing-through element for 100S25 - h 1000 mm.

Accessorio passaggio a tetto per canna fumaria passante in 100S25 - h 650 mm.
Roof passing-through element for 100S25 - h 650 mm.

Collare di supporto per passaggio a tetto (181PSTDPS25).
Support bracket for roof passing-through element (181PSTDPS25).



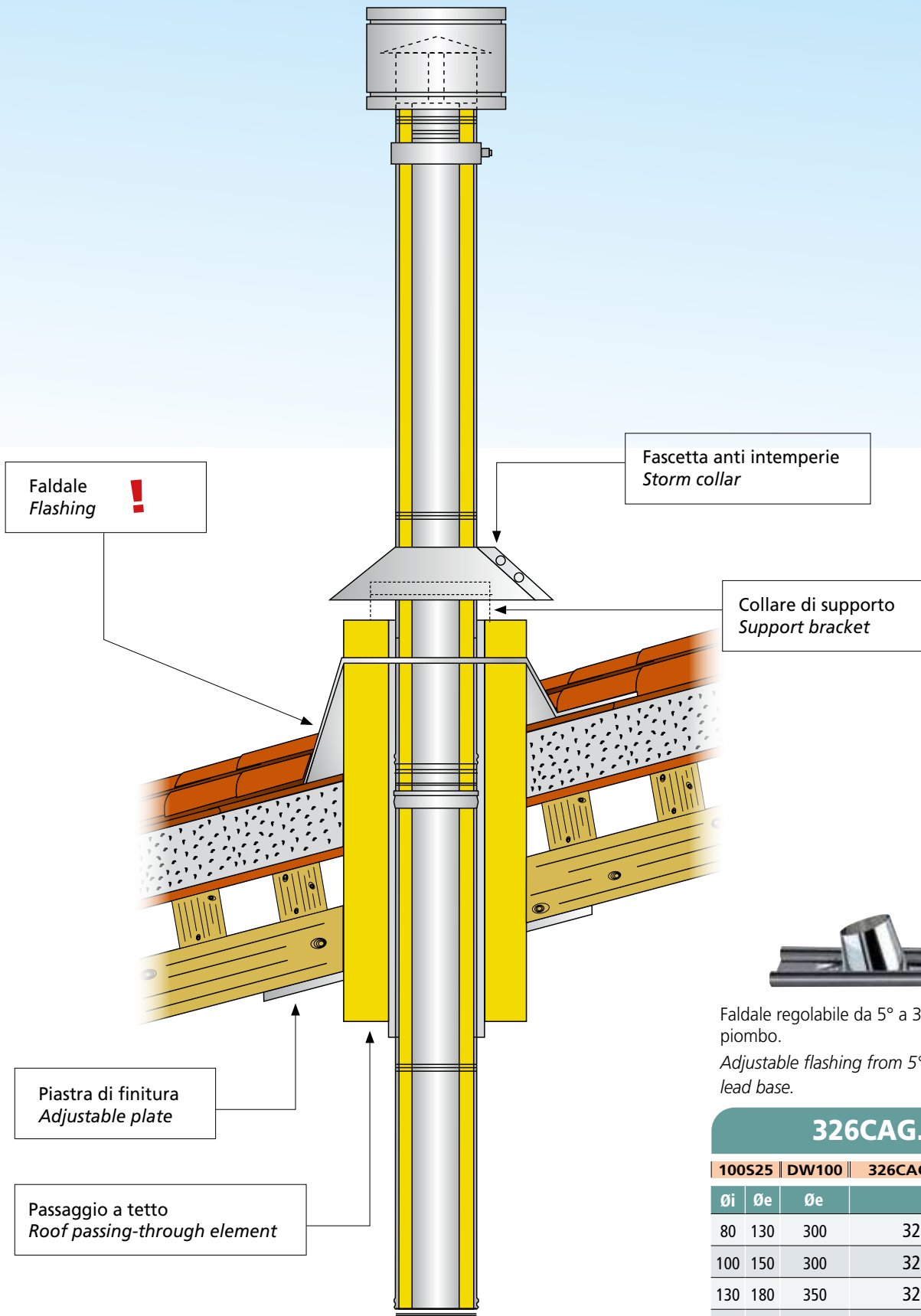
100S25			ZEROfire			
Øi	Øe	COD.	Øi	Øe	H	H1
80	130	185PSTDPAS25080	150	300	1000	950
100	150	185PSTDPAS25100	170	300	1000	950
130	180	185PSTDPAS25130	200	350	1000	950
150	200	185PSTDPAS25150	220	350	1000	950
180	230	185PSTDPAS25180	250	400	1000	950
200	250	185PSTDPAS25200	270	400	1000	950
250	300	185PSTDPAS25250	320	450	1000	950
300	350	185PSTDPAS25300	370	500	1000	950

100S25			ZEROfire			
Øi	Øe	COD.	Øi	Øe	H	H1
80	130	181PSTDPS25080	150	300	650	600
100	150	181PSTDPS25100	170	300	650	600
130	180	181PSTDPS25130	200	350	650	600
150	200	181PSTDPS25150	220	350	650	600
180	230	181PSTDPS25180	250	400	650	600
200	250	181PSTDPS25200	270	400	650	600
250	300	181PSTDPS25250	320	450	650	600
300	350	181PSTDPS25300	370	500	650	600

100S25		COD.	H
80	130	EXCOLSTAT0813	20
100	150	EXCOLSTAT1015	20
130	180	EXCOLSTAT1318	20
150	200	EXCOLSTAT1520	20
180	230	EXCOLSTAT1823	20
200	250	EXCOLSTAT2025	20
250	300	EXCOLSTAT2530	20
300	350	EXCOLSTAT3035	20

 DA UTILIZZARE CON IL PASSAGGIO A TETTO
TO BE USED WITH THE ROOF PASSING-THROUGH

Serie 100S25



Faldale
Flashing

Fascetta anti intemperie
Storm collar

Collare di supporto
Support bracket

Piastra di finitura
Adjustable plate

Passaggio a tetto
Roof passing-through element



Faldale regolabile da 5° a 30° con base in piombo.

Adjustable flashing from 5° to 30° with lead base.

326CAG...

100S25 | DW100 | 326CAG...

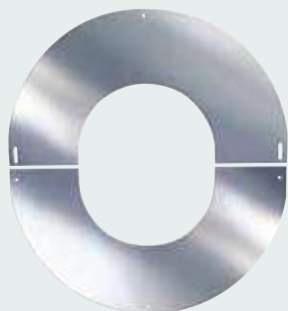
Øi	Øe	Øe	COD.
80	130	300	326CAG300
100	150	300	326CAG300
130	180	350	326CAG350
150	200	350	326CAG350
180	230	400	326CAG400
200	250	400	326CAG400
250	300	450	326CAG450
300	350	500	326CAG500

! Il diametro esterno del faldale deve corrispondere con il diametro esterno del passaggio a tetto.
The external diameter of the flashing must correspond with the external diameter of roof passing-through.

DOPPIA PARETE - DOUBLE WALL AISI 316L

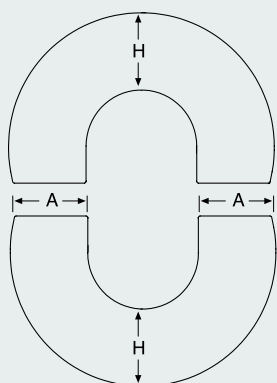


EXPI103...



Piastra di finitura regolabile da 10° a 30° per passaggio a tetto.

Adjustable plate from 10° to 30° for roof passing-through element.

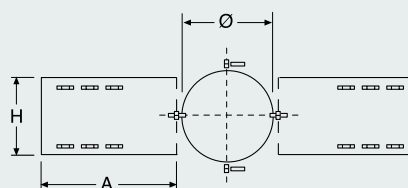


BFEXST...



Supporto a tetto.

Roof support.



LUBGN



Lubrificante per guarnizione.

Lubricant for seal.

100S25

Øi	Øe	COD.	A	H
80	130	EXPI103025	127	140
100	150	EXPI103025	127	140
130	180	EXPI103030	127	140
150	200	EXPI103030	127	140
180	230	EXPI103035	127	140
200	250	EXPI103035	127	140
250	300	EXPI103040	127	140
300	350	EXPI103045	127	140

Øi	Øe	COD.	A	H
80	130	BFEXST08	300	180
100	150	BFEXST10	300	180
130	180	BFEXST13	300	180
150	200	BFEXST15	300	180
180	230	BFEXST18	300	180
200	250	BFEXST20	300	180
250	300	BFEXST25	300	180
300	350	BFEXST30	300	180
350	400	BFEXST35	300	180
400	450	BFEXST40	300	180
450	500	BFEXST45	300	180
500	550	BFEXST50	300	180

COD.
LUBGN

 DA UTILIZZARE CON IL PASSAGGIO A TETTO
TO BE USED WITH THE ROOF PASSING-THROUGH

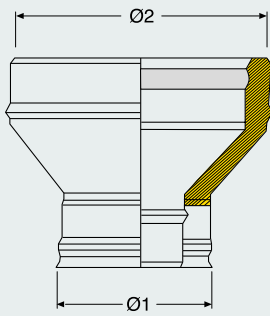
Serie 100S25

150RDPS25...



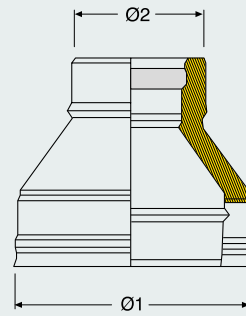
Aumento di diametro.

Increaser.



Riduzione di diametro.

Reducer.



Ø2

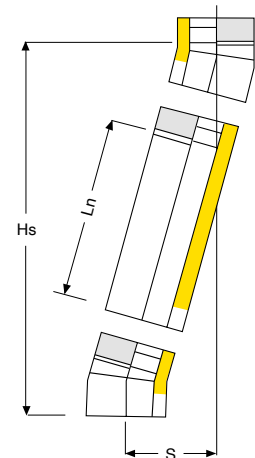
Ø1	080	100	130	150	180	200	250	300	350	400	450	500	550	600
080														
100														
130														
150														
180														
200														
250														
300														
350														
400														
450														
500														
550														
600														

DOPPIA PARETE - DOUBLE WALL AISI 316L



DISASSAMENTO - CENTER OFFSET

DISASSAMENTO CON DOPPIA CURVA 15° - CENTER OFFSET WITH DOUBLE 15° ELBOW

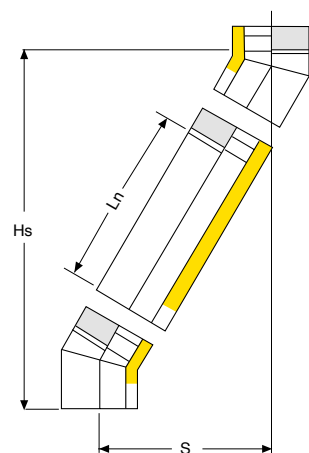


$$(Ln \times 0,25) + S_0 = S$$

$$(Ln \times 0,96) + H_0 = Hs$$

DOPPIA PARETE DOUBLE WALL 100S25 Ø	0 m		0,25 m		0,33 m		0,50 m		1 m	
	S ₀	H ₀	S	H _s	S	H _s	S	H _s	S	H _s
80	30	227	78	409	98	486	140	649	265	1129
100	31	232	79	414	99	491	141	654	266	1134
130	32	240	80	422	100	499	142	662	267	1142
150	32	245	80	427	100	504	142	667	267	1147
180	33	252	81	434	101	511	143	674	268	1154
200	34	258	82	440	102	517	144	680	269	1160
250	36	271	84	453	104	530	146	693	271	1173
300	37	284	85	466	105	543	147	706	272	1186
350	39	296	87	478	107	555	149	718	274	1198
400	41	309	89	491	109	568	151	731	276	1211
450	42	322	90	504	110	581	152	744	277	1224
500	44	335	92	517	112	594	154	757	279	1237
550	46	348	94	530	114	607	156	770	281	1250
600	57	430	105	612	125	689	167	852	292	1332

DISASSAMENTO CON DOPPIA CURVA 30° - CENTER OFFSET WITH DOUBLE 30° ELBOW

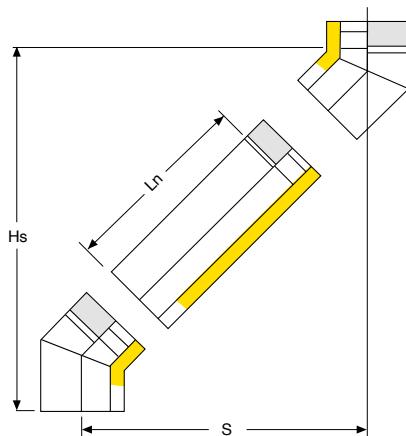


$$(Ln \times 0,50) + S_0 = S$$

$$(Ln \times 0,86) + H_0 = Hs$$

DOPPIA PARETE DOUBLE WALL 100S25 Ø	0 m		0,25 m		0,33 m		0,50 m		1 m	
	S ₀	H ₀	S	H _s	S	H _s	S	H _s	S	H _s
80	65	244	160	407	200	476	285	622	535	1052
100	68	252	163	415	203	484	288	630	538	1060
130	72	267	167	430	207	499	292	645	542	1075
150	74	277	169	440	209	509	294	655	544	1085
180	78	292	173	455	213	524	298	670	548	1100
200	81	302	176	465	216	534	301	680	551	1110
250	88	327	183	490	223	559	308	705	558	1135
300	94	352	189	515	229	584	314	730	564	1160
350	101	376	196	539	236	608	321	754	571	1184
400	107	401	202	564	242	633	327	779	577	1209
450	127	427	222	590	262	659	347	805	597	1235
500	121	452	216	615	256	684	341	830	591	1260
550	128	477	223	640	263	709	348	855	598	1285
600	153	571	248	734	288	803	373	949	623	1379

DISASSAMENTO CON DOPPIA CURVA 45° - CENTER OFFSET WITH DOUBLE 45° ELBOW



$$(Ln \times 0,71) + S_0 = S$$

$$(Ln \times 0,71) + H_0 = Hs$$

DOPPIA PARETE DOUBLE WALL 100S25 Ø	0 m		0,25 m		0,33 m		0,50 m		1 m	
	S ₀	H ₀	S	H _s	S	H _s	S	H _s	S	H _s
80	104	251	238	385	295	442	415	562	769	916
100	112	270	246	404	303	461	423	581	777	935
130	120	289	254	423	311	480	431	600	785	954
150	125	302	259	436	316	493	436	613	790	967
180	139	335	273	469	330	526	450	646	804	1000
200	143	344	277	478	334	535	454	655	808	1009
250	159	383	293	517	350	574	470	694	824	1048
300	173	418	307	552	364	609	484	729	838	1083
350	185	447	319	581	376	638	496	758	850	1112
400	202	487	336	621	393	678	513	798	867	1152
450	216	523	350	657	407	714	527	834	881	1188
500	231	558	365	692	422	749	542	869	896	1223
550	246	593	380	727	437	784	557	904	911	1258
600	284	687	418	821	475	878	595	998	949	1352

1 m Ln = 940 mm
 0,50 m Ln = 440 mm
 0,33 m Ln = 270 mm
 0,25 m Ln = 190 mm

